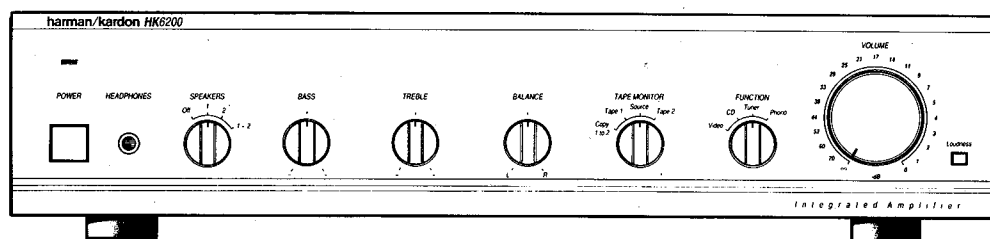


The Harman Kardon Model HK6200 INTEGRATED AMPLIFIER

Manual 146A

Technical Manual



The following marks found in the parts list of this manual identify the models as follows.

- BK : North America area model Black version
- G : German model
- GB : German model Black version
- BB : Australian model Black version
- I : International model
- IB : International model Black version

HK6200

harman/kardon

240 Crossways Park West, Woodbury, N. Y. 11797
1112-3152146A9 P-088905 1500 Printed in Japan

SPECIFICATIONS

	Nominal	Limit
Continuous Average Power FTC, both channels drive, 20-20,000Hz	45Watts per channel @ less than 0.09% THD into 8 Ohms, 45Watts per channel @ less than 0.3% THD into 4 Ohms	
High Instantaneous Current Capability (HCC)	32 ≥ 25A	
Half Power Bandwidth (8 Ohms)	10Hz ~ 100kHz	
*Frequency Responce at -3dB	0.56Hz ~ 190kHz	
Input Sensitivity		
Tuner, CD, Video	135mV ± 25mV	
Phono	2.2mV ± 0.2mV	
Signal to Noise Ratio		
Tuner, CD, Video	85dB ≥ 77dB	
Phono	81dB ≥ 73dB	
Channel Separation at 10kHz		
Tuner	55dB ≥ 45dB	
Phono	58dB ≥ 45dB	
IM Distortion Ratio	0.05% ≤ 0.1%	
Damping Factor at 1kHz	64 ≥ 50	
Tone Control Characteristics		
Bass at 50Hz/100Hz		
Boost	± 10dB ± 2dB	
Cut	± 10dB ± 2dB	
Treble at 10kHz/30kHz		
Boost	± 10dB ± 2dB	
Cut	± 10dB ± 2dB	

	Nominal	Limit
Loudness Control (with Volume Control at -40dB)		
at 10kHz	3dB ± 1dB	
at 50Hz	10dB ± 2dB	
DC Output Voltage		
L channel	0mV ± 60mV	
R channel	0mV ± 60mV	
RIAA Equalization at Tape Out (20Hz/20kHz) (No load)	0.4dB ± 1.0dB/0.12dB ± 1.0dB	
Phono Over Load (No load)		
Phono (MM)	110mV ≥ 95mV	
Dimensions (W x H x D)	17-1/2" x 4-1/16" x 14-1/4" (443 x 103 x 361mm)	
Weight		
North America area model	12 lbs. 12oz. (5.8kg)	
International model	15 lbs. 7oz. (7.0kg)	
Power Supplies		
North America area model	AC 120V, 60Hz	
International model	AC 220/240V, 50/60Hz	
Power Consumption		
North America area model	215W (277VA)	
International model	165W	
* International model	0.56Hz ~ 167kHz	

These specifications are service target specs.

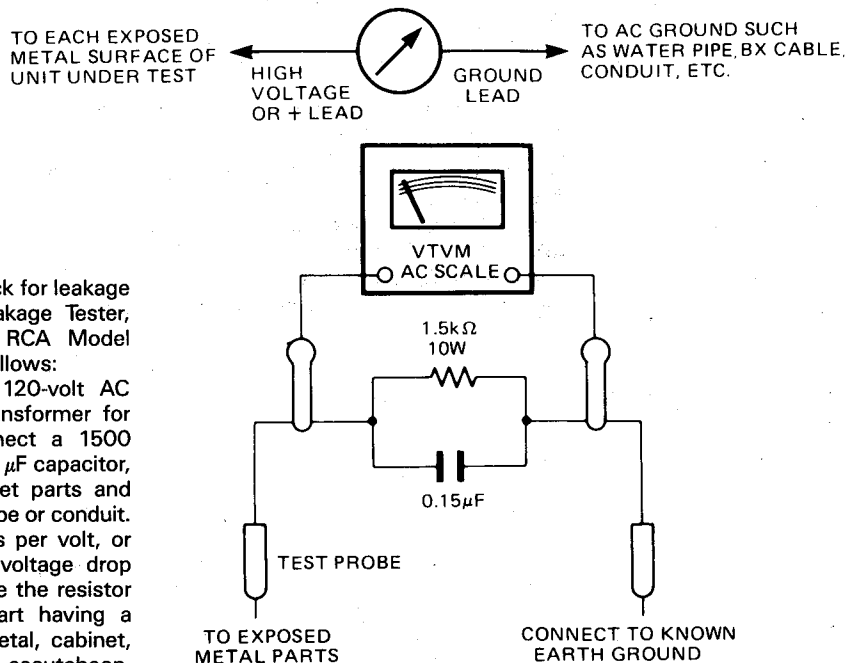
Specifications and components subject to change without notice. Overall performance will be maintained or improved.

LEAKAGE TEST (FOR SERVICE ENGINEERS IN THE U.S.A.)

Before returning the unit to the user, perform the following safety checks:

1. Inspect all lead dress to make certain that leads are not pinched or that hardware is not lodged between the chassis and other metal parts in the unit.
2. Be sure that any protective devices such as nonmetallic control knobs, insulating fishpapers, cabinet backs, adjustment and compartment covers or shields, isolation resistor-capacity networks, mechanical insulators, etc. which were removed for servicing are properly reinstalled.
3. Be sure that no shock hazard exists; check for leakage current using Simpson Model 229 Leakage Tester, standard equipment item No. 21641, RCA Model WT540A or use alternate method as follows: Plug the power cord directly into a 120-volt AC receptacle (do not use an isolation Transformer for this test). Using two clip leads, connect a 1500 Ohm, 10-watt resistor paralleled by a 0.15 μF capacitor, in series with all exposed metal cabinet parts and a known earth ground, such as a water pipe or conduit. Use a VTVM or VOM with 1000 Ohms per volt, or higher sensitivity to measure the AC voltage drop across the resistor. (See Diagram.) Move the resistor connection to each exposed metal part having a return path to the chassis (antenna, metal, cabinet, screw heads, knobs and control shafts, escutcheon, etc.) and measure the AC voltage drop across the resistor. (This test should be performed with the power switch in both the On and Off positions.) A reading of 0.35 volt RMS or more is excessive and indicates a potential shock hazard which must be corrected before returning the unit to the owner.

SIMPSON MODEL 229 ETC. FOR LEAKAGE TEST



DISASSEMBLY PROCEDURES (REFER TO PAGES 5 AND 14)

1 CABINET TOP REMOVAL

Remove 6 screws (A) and then remove the Cabinet Top (131).

2 FRONT PANEL ASS'Y (AA) REMOVAL

1. Remove the Cabinet Top (131), referring to the previous step 1.
2. Pull out 6 Rotary Knob (152) and Volume Rotary Knob (150).
3. Remove 5 screws (B) and then Front Panel Ass'y (AA).

3 MAIN P. C. BOARD (PCB-1) REMOVAL

1. Remove the Front Panel Ass'y (AA), referring to the previous step 2.
2. Open the lid of connector (CN106) on the Main P. C. Board (PCB-1).
3. Remove 6 hexagon nuts (C) and then remove the Speaker Switch and Function P. C. Board (PCB-5 and PCB-9).

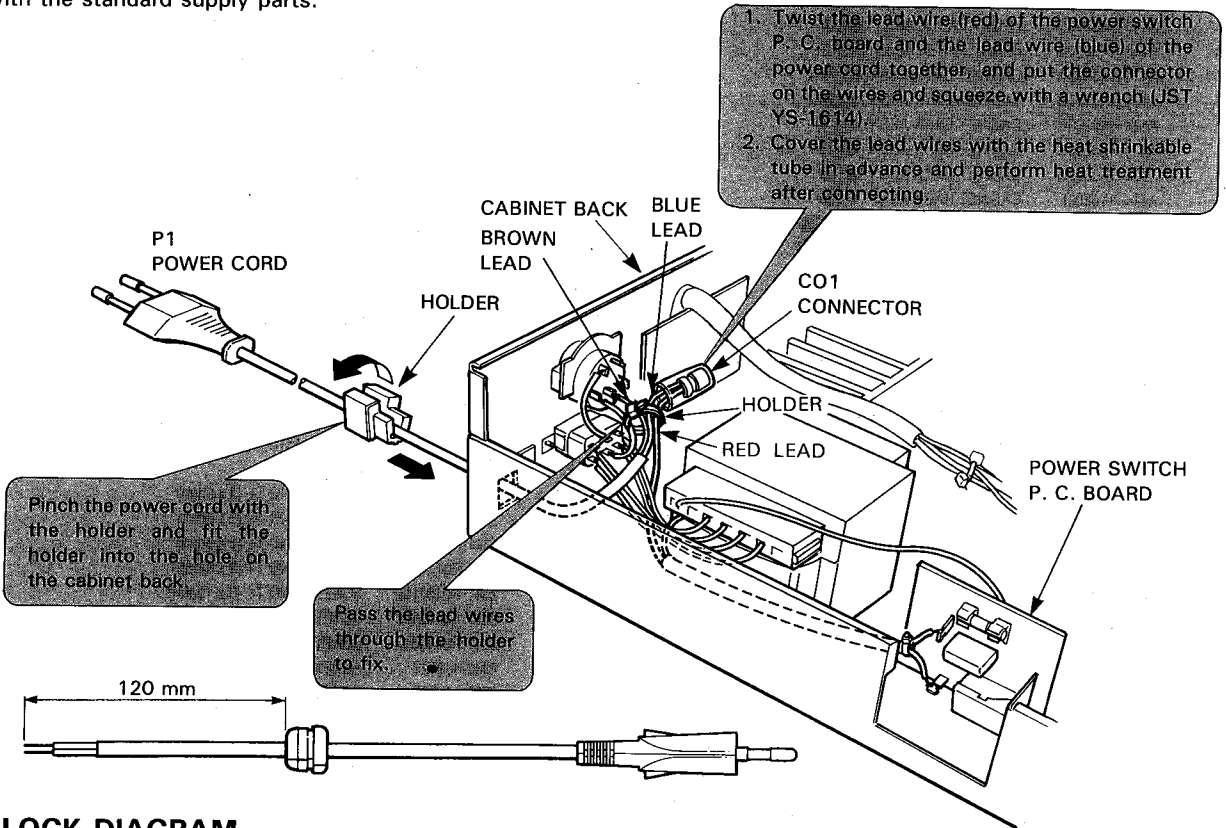
4. Remove 4 screws (D) and then remove the Main P. C. Board (PCB-1).
If necessary, unsolder the lead wires.

4 EQUALIZER P. C. BOARD (PCB-10) REMOVAL

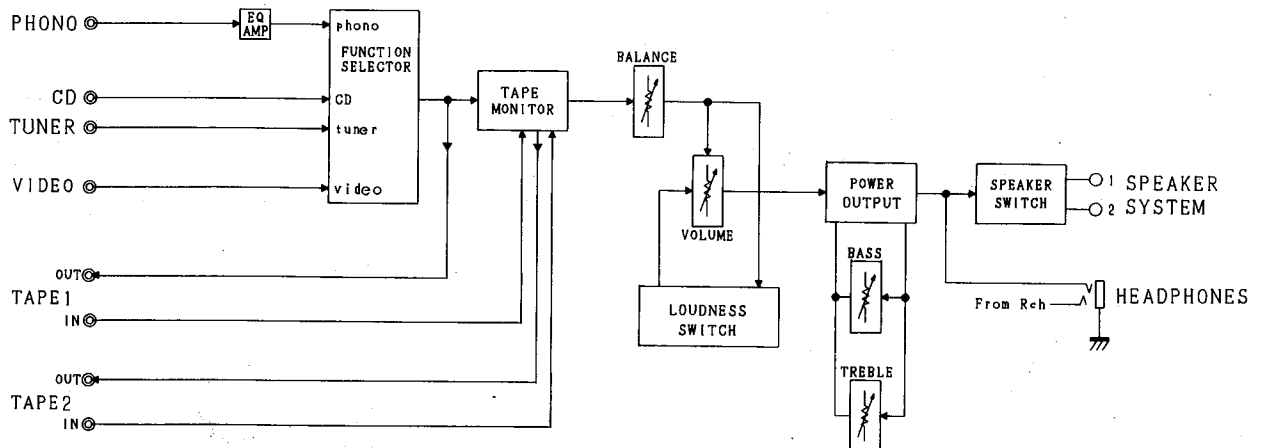
1. Remove the Cabinet Top (131), referring to the previous step 1.
2. Remove 4 screws (E) and then remove the Equalizer P. C. Board (PCB-10).
If necessary, unsolder the lead wires.

POWER CORD REPLACEMENT (FOR SERVICE ENGINEERS OTHER THAN NOTRH AMERICA)

In order to prevent fire or shock hazard when replacing the power cord, follow the procedure below to replace the parts with the standard supply parts.



BLOCK DIAGRAM



ALIGNMENT PROCEDURES (REFER TO PAGES 6, 7 AND 13)

- Conditions:**
- Set the Volume control to minimum.
 - Set the Speaker selector to "1 + 2" position.
 - Set the Speaker Operating Mode switch to "8Ω" position.
 - Make the adjustment at a room temperature of 77°F (25°C).
 - After the Power switch is pushed on, wait for 30 minutes before measuring to be sure of the most stable operation.

IDLING CURRENT ADJUSTMENT

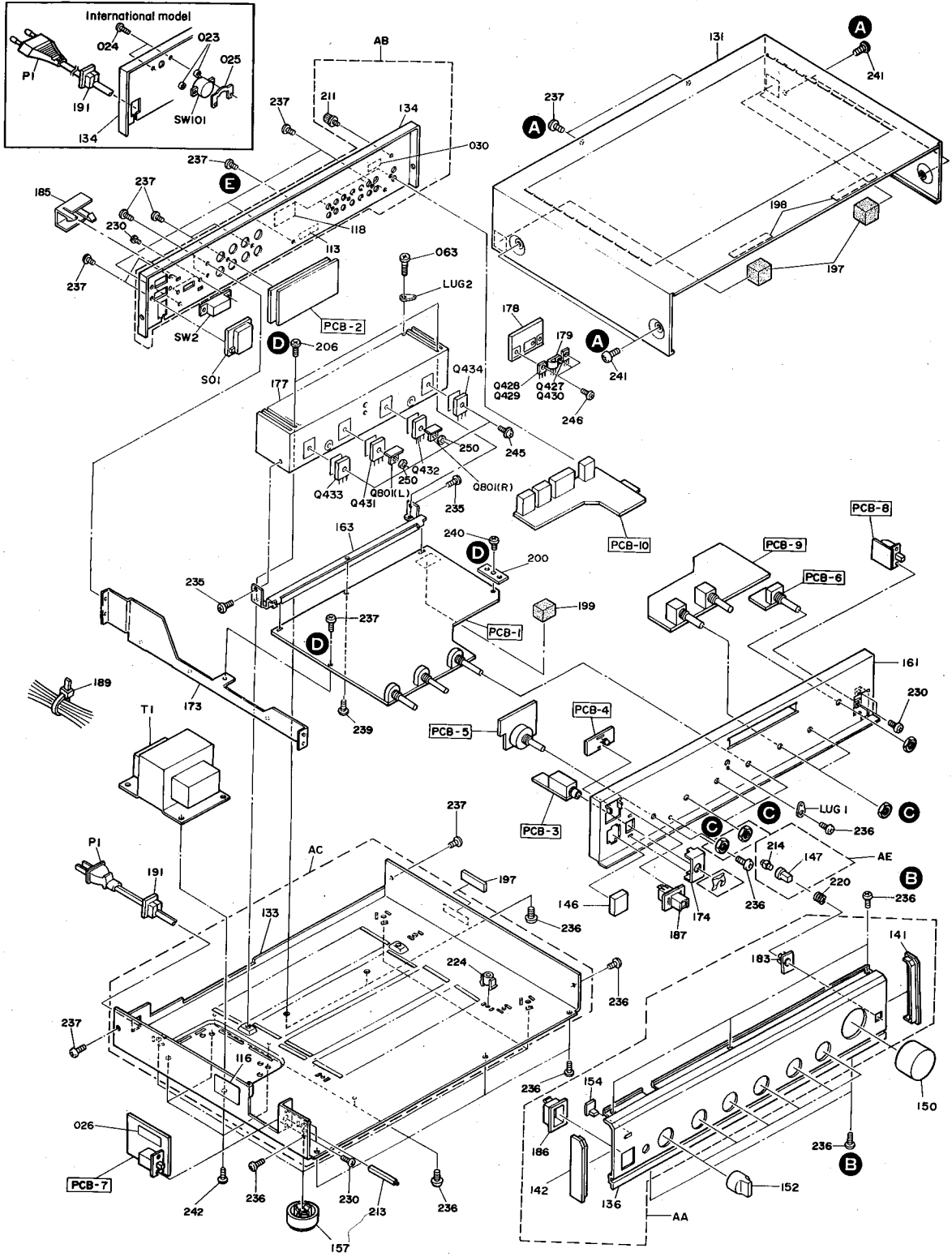
Step	Connection Equipments	Adjustment	For
1	Connect the Digital Volt Meter to TP1 and TP2.	VR401 (L ch)	40mV ± 2mV
2	Connect the Digital Volt Meter to TP3 and TP4.	VR402 (R ch)	40mV ± 2mV

PARTS LIST

Ref. No.	Part No.	Description	Ref. No.	Part No.	Description
AA	A443-HK6200A	FRONT PANEL ASSY G I	173	2219-8207	METAL FITTING, BOTTOM
AA	A443-HK6200B	FRONT PANEL ASSY BK	174	2219-7879	METAL FITTING, H/P
AA	A443-HK6200C	FRONT PANEL ASSY GB	177	2222-7227	HEAT SINK, MAIN BK
AA	A443-HK6200D	FRONT PANEL ASSY BB	177	2222-7232	HEAT SINK, MAIN G GB BB I IB
AA	A443-HK6200E	FRONT PANEL ASSY IB	178	2222-7214	HEAT SINK, DRIVER
AB	A424-HK6200A	CABINET BACK ASSY BK	179	2222-7067	HEAT SINK, DRIVER
AB	A424-HK6200C	CABINET BACK ASSY G	183	2240-7141	HOLDER, LOUDNESS G I
AB	A424-HK6200E	CABINET BACK ASSY GB	183	2240-7202	HOLDER, LOUDNESS BK GB BB IB
AB	A424-HK6200G	CABINET BACK ASSY BB	185	2240-7359	HOLDER, 4/8
AB	A424-HK6200J	CABINET BACK ASSY I	186	2240-7209	HOLDER, POWER
AB	A424-HK6200L	CABINET BACK ASSY IB	187	2240-7349	HOLDER, LED
AC	A424-HK6200B	CABINET BOTTOM ASSY BK	189	2240-R0101	HOLDER, WIRING
AC	A424-HK6200D	CABINET BOTTOM ASSY G	191	2240-364	HOLDER, AC CORD
AC	A424-HK6200F	CABINET BOTTOM ASSY GB	197	2112-11771	SPONGE
AC	A424-HK6200H	CABINET BOTTOM ASSY BB	198	2111-11744	FELT, PANEL
AC	A424-HK6200K	CABINET BOTTOM ASSY I	199	2112-11797	SPONGE
AC	A424-HK6200M	CABINET BOTTOM ASSY IB	200	2224-7090	INSULATOR
AE	A662-HK6200A	PUSH BUTTON ASSY G I	211	4214-168	TERMINAL, GND
AE	A662-HK6200B	PUSH BUTTON ASSY BK	213	2672-7018	LEVER, POWER SHAFT
AE	A662-HK6200C	PUSH BUTTON ASSY GB	214	2601-7077	SHAFT, LOUDNESS
AE	A662-HK6200D	PUSH BUTTON ASSY BB	220	2651-210189	SPRING, PUSH BUTTON
AE	A662-HK6200E	PUSH BUTTON ASSY IB	224	2360-7015	BOSS, SPE
023	2132-7116	SPACER G GB BB I IB	230	2327-R0130064	SCREW, BND T+ (3 x 6mm)
024	2327-R130124	SCREW, BND+ (3 x 12mm) G GB BB I IB	235	2347-R0130062	SCREW, BND T+ (3 x 6mm)
025	2440-7017	NUT, SPE G GB BB I IB	236	2347-R0130062	SCREW, BND T+ (3 x 6mm)
026	1756-01409	LABEL G GB BB I IB	237	2347-R0130084	SCREW, BND T+ (3 x 8mm)
030	1756-19303	LABEL, DBP No. G GB	239	2347-R0130102	SCREW, BND T+ (3 x 10mm)
063	2347-R0130084	SCREW, BND T+ (3 x 8mm) G GB	240	2347-R0130102	SCREW, BND T+ (3 x 10mm)
113	1117-78	SERIAL LABEL	241	2347-R0140064	SCREW, BND T+ (4 x 6mm)
116	1756-05910	LABEL BK	242	2347-400827	SCREW, BND T+ (4 x 8mm)
118	1756-CSA	LABEL, CSA BK	245	2557-301429	SCREW, B SPW+ (3 x 14mm)
131	1414-04901	CABINET, TOP	246	2557-300829	SCREW, B SPW+ (3 x 8mm)
133	1424-27101	CABI BACK, BOTTOM BK	250	2401-0373	WASHER, METAL
133	1424-29101	CABI BACK, BOTTOM G GB BB I IB	△ P1	4161-71151	CORD W/PLUG BK
134	1424-29001	CABI BACK, REAR BK	△ P1	4161-7256	CORD W/PLUG G GB I IB
134	1424-29002	CABI BACK, REAR G GB BB I IB	△ P1	4161-04100	CORD W/PLUG BB
136	1443-13202	PANEL, FRONT G I	△ T1	5584-S2505	XFORMER, POWER BK
136	1443-13203	PANEL, FRONT BK GB BB IB	△ T1	5584-S2506	XFORMER, POWER G GB BB I IB
141	1562-07402	FRAME, R-SIDE BK BB IB	△ SO1	4474-227	SOCKET BK
141	1562-07401	FRAME, R-SIDE G I	△ SW2	4464-00101012	SWITCH, SEESAW BK
142	1562-07302	FRAME, L-SIDE BK BB IB	△ SW2	4464-00102022	SWITCH, SEESAW G GB BB I IB
142	1562-07301	FRAME, L-SIDE G I	△ SW101	4411-102729	SWITCH, ROTARY G GB BB I IB
146	1660-00401	PUSH BUTTON, POWER G I	LUG1	4211-4	LUG
146	1660-00403	PUSH BUTTON, POWER BK GB BB IB	LUG2	4211-4	LUG G GB
147	1662-05701VN	PUSH BUTTON, LOUDNESS G I	Q427	5613-3298(Y)	XISTOR, NPN R
147	1662-05702	PUSH BUTTON, LOUDNESS BK GB BB IB	Q428	5613-3298(Y)	XISTOR, NPN R
150	1630-02601	ROTARY KNOB, VOLUME G I	Q429	5611-1306(Y)	XISTOR, PNP R
150	1630-02603	ROTARY KNOB, VOLUME BK GB BB IB	Q430	5611-1306(Y)	XISTOR, PNP R
152	1632-16502	ROTARY KNOB G I	△ Q431	5613-3181(O)	XISTOR, NPN R
152	1632-17101	ROTARY KNOB BK GB BB IB	△ Q432	5613-3181(O)	XISTOR, NPN R
154	1732-05801	INDICATOR, PANEL	△ Q433	5611-1265(O)	XISTOR, PNP R
157	1319-02201	LEG, BOTTOM	△ Q434	5611-1265(O)	XISTOR, PNP R
161	2211-7295	CHASSIS, FRONT	Q801(L)	5613-2682(O)	XISTOR, NPN R
163	2219-8179	METAL FITTING	Q801(R)	5613-2682(O)	XISTOR, NPN R

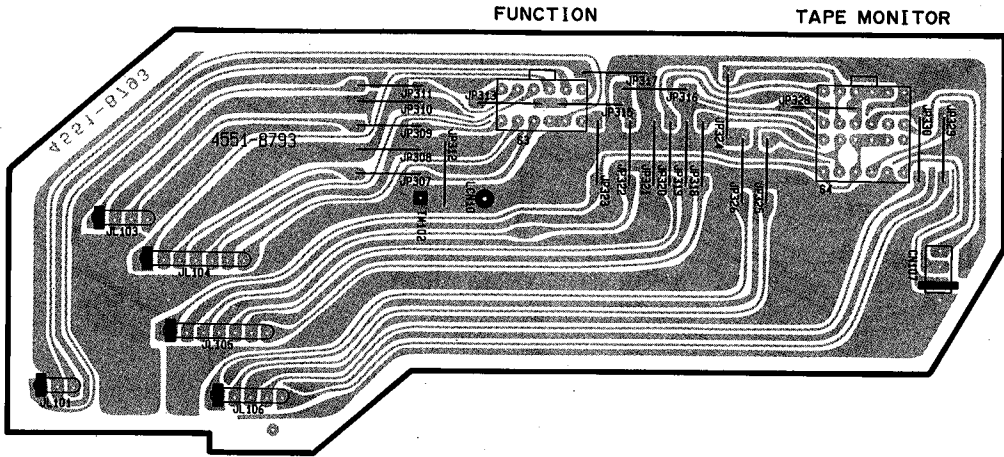
**GENERAL UNIT
EXPLODED VIEW**

1
2
3
4
5
6
7

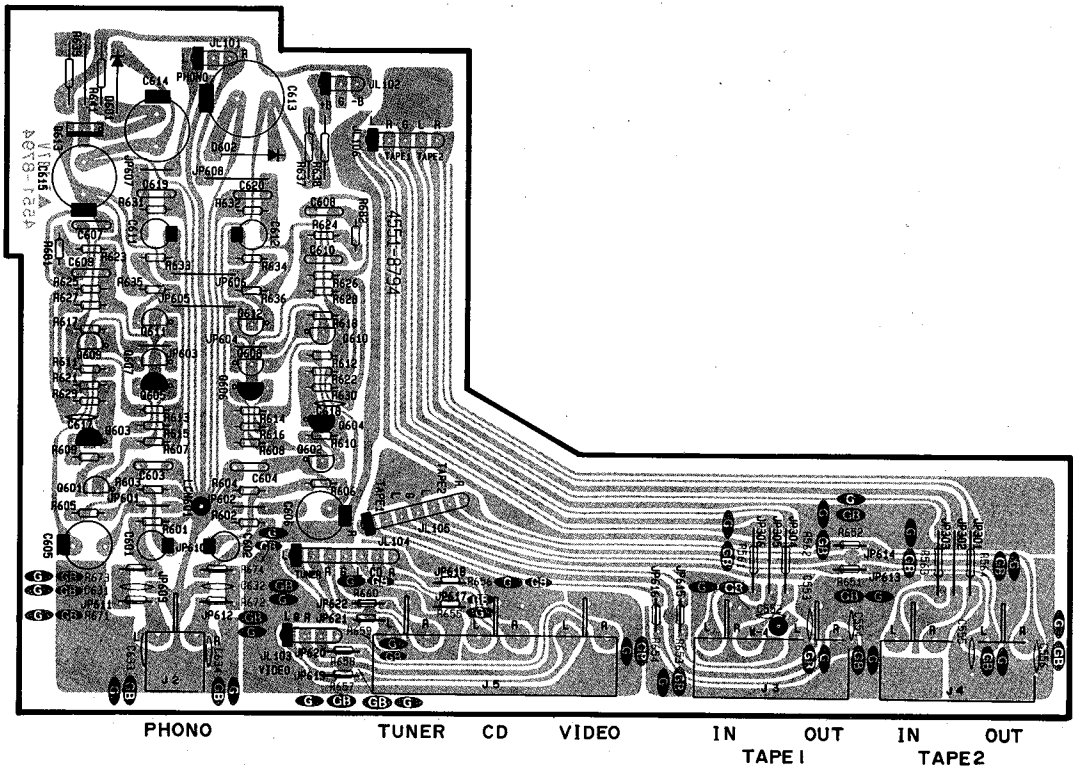


P. C. BOARDS

PCB-9 Function P. C. Board



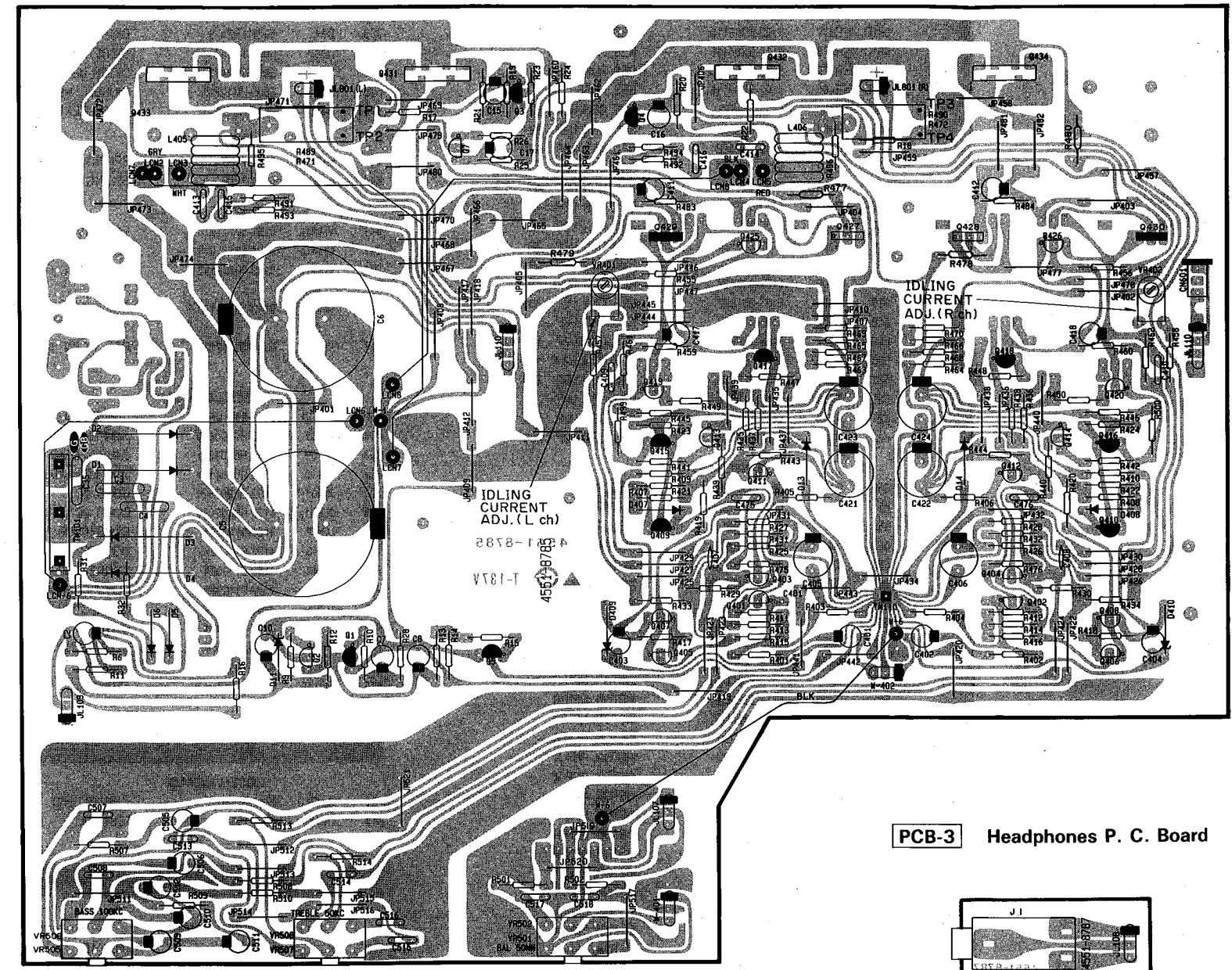
PCB-10 Equalizer P. C. Board



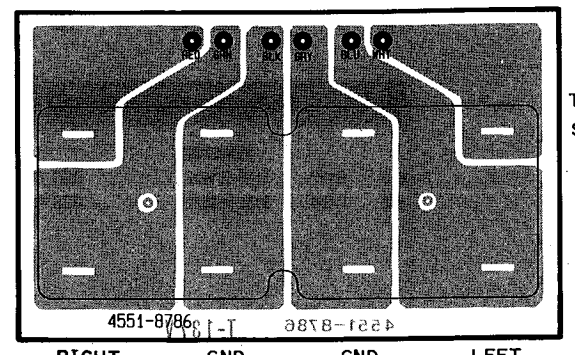
PHONO TUNER CD VIDEO IN OUT IN OUT
TAPE 1 TAPE 2

P. C. BOARDS

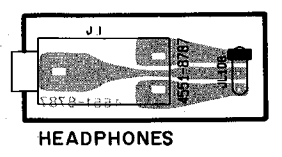
PCB-1 Main P. C. Board



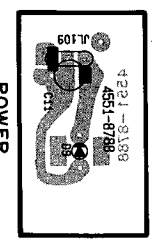
PCB-2 Speaker Terminal P. C. Board



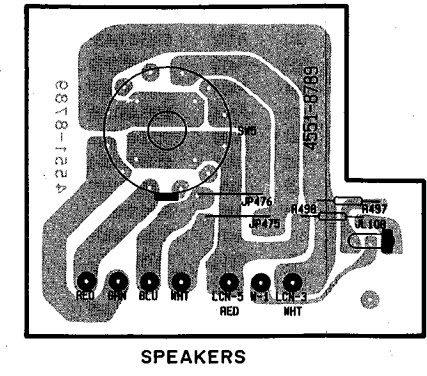
PCB-3 Headphones P. C. Board



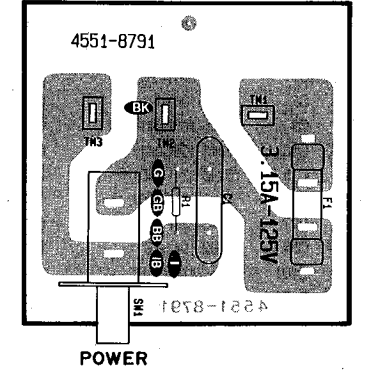
PCB-4 LED P. C. Board



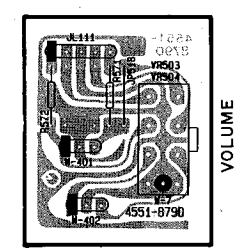
PCB-5 Speaker Switch P. C Board



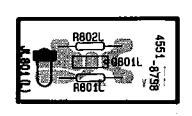
PCB-7 Power Switch P. C. Board



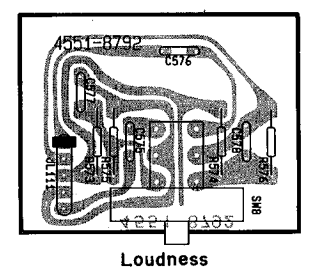
PCB-6 VR P. C. Board



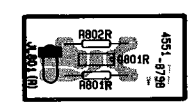
PCB-11 Bias P. C. Board (Lch)



PCB-8 Loudness P. C. Board



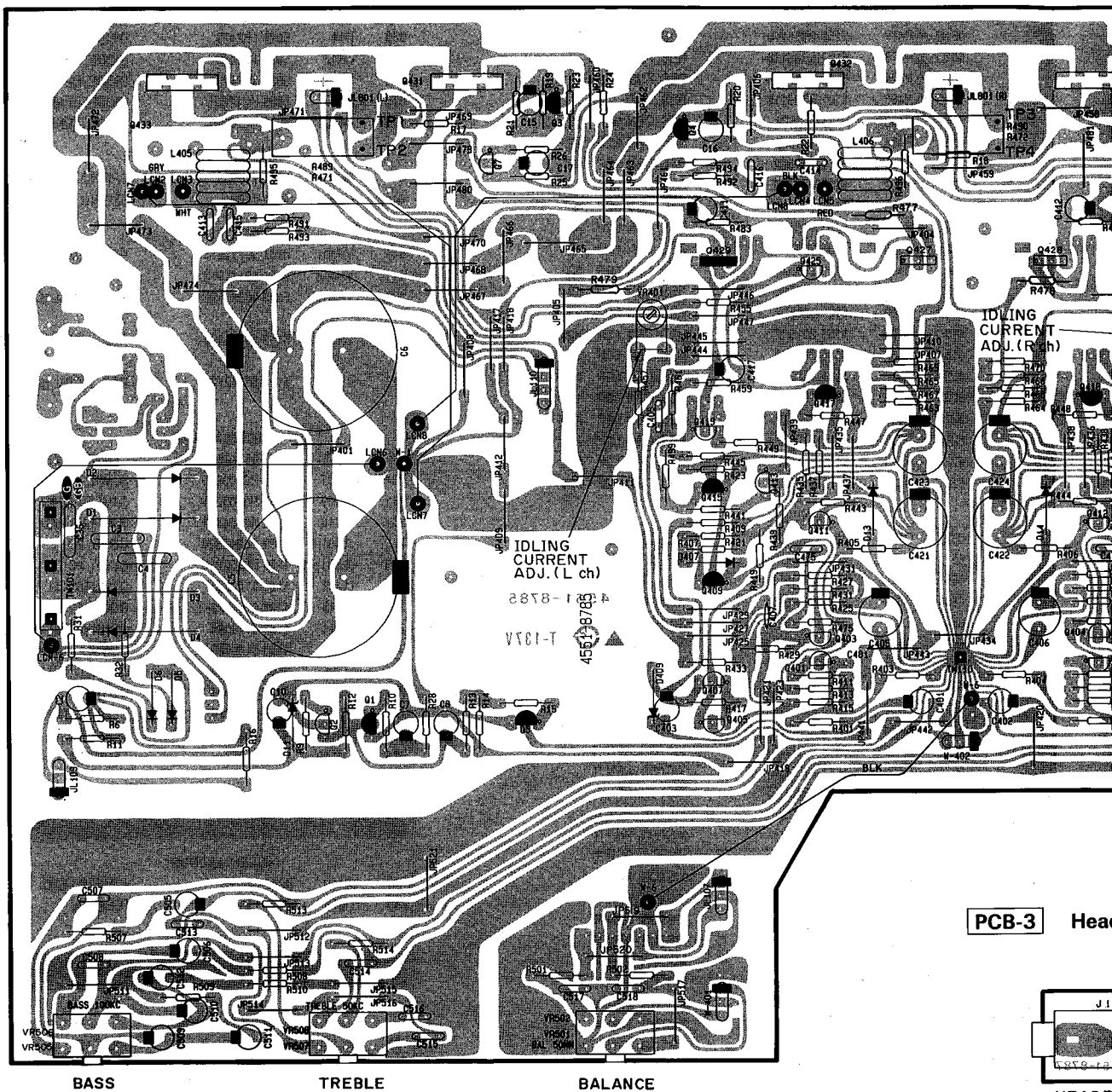
PCB-12 Bias P. C. Board (Rch)



1
2
3
4
5
6
7

P. C. BOARDS

PCB-1 Main P. C. Board

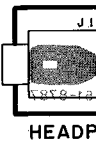


BASS

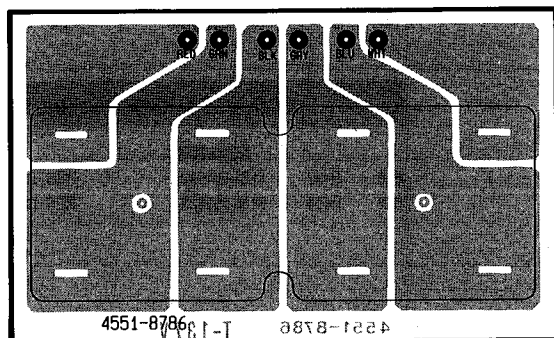
TREBLE

BALANCE

PCB-3 Head



PCB-2 Speaker Terminal P. C. Board



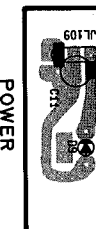
RIGHT

GND

GND

LEFT

PCB-4 LED



TM10
SYSTEM I

SYSTEM2

POWER

F

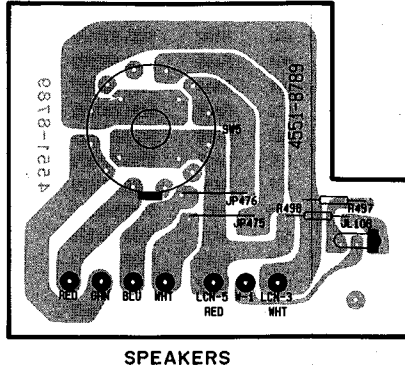
G

H

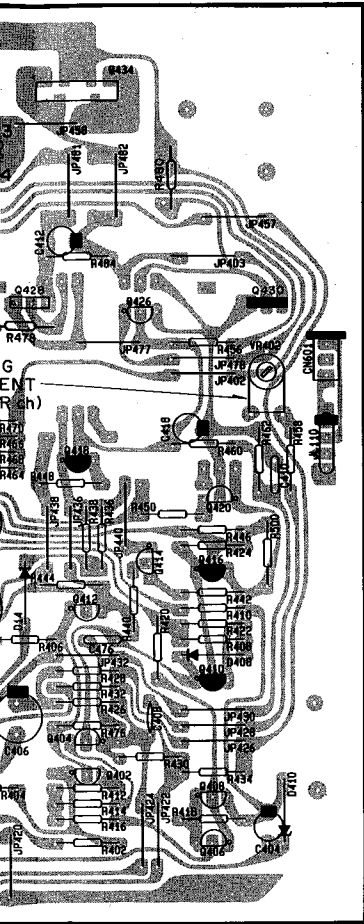
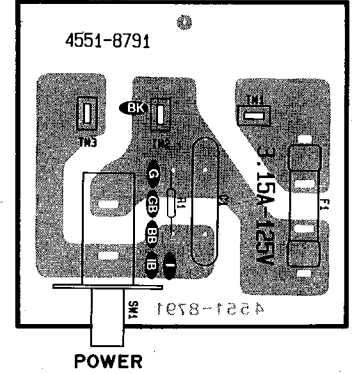
I

J

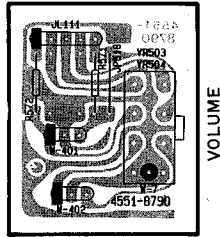
PCB-5 Speaker Switch P. C Board



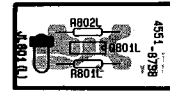
PCB-7 Power Switch P. C. Board



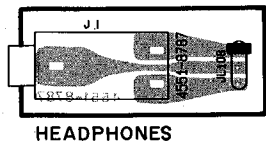
PCB-6 VR P. C. Board



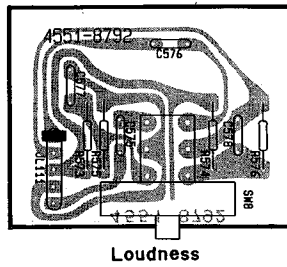
PCB-11 Bias P. C. Board (Lch)



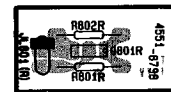
3 Headphones P. C. Board



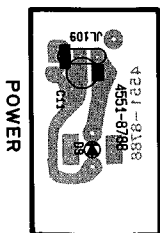
PCB-8 Loudness P. C. Board



PCB-12 Bias P. C. Board (Rch)



4 LED P. C. Board



ELECTRICAL PARTS LIST

Table with multiple columns: Ser.No, Ref. No., Part No., Description, Ser.No, Ref. No., Part No., Description, Ser.No, Ref. No., Part No., Description, Ser.No, Ref. No., Part No., Description. Includes sections for CAPACITORS, RESISTORS, COILS, CONTROLS, MISCELLANEOUS, TRANSISTORS, and DIODES.

ELECTRICAL PARTS LIST

Ser.No	Ref. No.	Part No.	Description	Ser.No	Ref. No.	Part No.	Description
CAPACITORS							
662	C2	5345-106F041	CAP, MINI ELE 10 μ 50V	671	R25	5135-104522	RES, CBN 1/2P 100K
689	C3	5362-103048	CAP, CER .01 μ	672	R26	5135-683522	RES, CBN 1/2P 68K
689	C4	5362-103048	CAP, CER .01 μ	671	R28	5135-822522	RES, CBN 1/2P 8.2K
687	Δ C5	5341-S07FM822	CAP, ELE 8200 μ 50V	666	R31	5135-821522	RES, CBN 1/2P 820
687	Δ C6	5341-S07FM822	CAP, ELE 8200 μ 50V	666	R32	5135-821522	RES, CBN 1/2P 820
660	C7	5345-106F041	CAP, MINI ELE 10 μ 50V	603	R401	5135-331522	RES, CBN 1/2P 330
661	C8	5345-107B041	CAP, MINI ELE 100 μ 10V	603	R402	5135-331522	RES, CBN 1/2P 330
659	C10	5345-106C041	CAP, MINI ELE 10 μ 16V	604	R403	5135-683522	RES, CBN 1/2P 68K
663	C15	5345-334F0951	CAP, MINI ELE .33 μ 50V	604	R404	5135-683522	RES, CBN 1/2P 68K
663	C16	5345-334F0951	CAP, MINI ELE .33 μ 50V	622	R405	5135-681522	RES, CBN 1/2P 680
664	C17	5345-225F0951	CAP, MINI ELE 2.2 μ 50V	622	R406	5135-681522	RES, CBN 1/2P 680
057B	C35	5352-1041957	CAP, MTL .1 μ G GB	622	R407	5135-681522	RES, CBN 1/2P 680
581	C401	5345-476B0951	CAP, MINI ELE 47 μ 10V	622	R408	5135-681522	RES, CBN 1/2P 680
581	C402	5345-476B0951	CAP, MINI ELE 47 μ 10V	606	R409	5135-682522	RES, CBN 1/2P 6.8K
587	C403	5345-476C0951	CAP, MINI ELE 47 μ 16V	606	R410	5135-682522	RES, CBN 1/2P 6.8K
587	C404	5345-476C0951	CAP, MINI ELE 47 μ 16V	608	R411	5135-390522	RES, CBN 1/2P 39
582	C405	5345-227A0951	CAP, MINI ELE 220 μ 6.3V	608	R412	5135-390522	RES, CBN 1/2P 39
582	C406	5345-227A0951	CAP, MINI ELE 220 μ 6.3V	608	R413	5135-390522	RES, CBN 1/2P 39
592	C407	5353-020934	CAP, MCA 2p	608	R414	5135-390522	RES, CBN 1/2P 39
592	C408	5353-020934	CAP, MCA 2p	623	R415	5135-222522	RES, CBN 1/2P 2.2K
590	C409	5359-1015851	CAP, PPP 100p	623	R416	5135-222522	RES, CBN 1/2P 2.2K
590	C410	5359-1015851	CAP, PPP 100p	609	R417	5135-331522	RES, CBN 1/2P 330
583	C411	5345-106C0951	CAP, MINI ELE 10 μ 16V	609	R418	5135-331522	RES, CBN 1/2P 330
583	C412	5345-106C0951	CAP, MINI ELE 10 μ 16V	604	R419	5135-683522	RES, CBN 1/2P 68K
595	C413	5354-683J1HM	CAP, MYL .068 μ	604	R420	5135-683522	RES, CBN 1/2P 68K
595	C414	5354-683J1HM	CAP, MYL .068 μ	638	Δ R421	5102-3315116	RES, FUSE 330
595	C415	5354-683J1HM	CAP, MYL .068 μ	638	Δ R422	5102-3315116	RES, FUSE 330
595	C416	5354-683J1HM	CAP, MYL .068 μ	638	Δ R423	5102-3315116	RES, FUSE 330
583	C417	5345-106C0951	CAP, MINI ELE 10 μ 16V	638	Δ R424	5102-3315116	RES, FUSE 330
583	C418	5345-106C0951	CAP, MINI ELE 10 μ 16V	610	R425	5135-473522	RES, CBN 1/2P 47K
584	Δ C421	5345-337F041	CAP, MINI ELE 330 μ 50V	610	R426	5135-473522	RES, CBN 1/2P 47K
584	Δ C422	5345-337F041	CAP, MINI ELE 330 μ 50V	610	R427	5135-473522	RES, CBN 1/2P 47K
584	Δ C423	5345-337F041	CAP, MINI ELE 330 μ 50V	610	R428	5135-473522	RES, CBN 1/2P 47K
584	Δ C424	5345-337F041	CAP, MINI ELE 330 μ 50V	611	R429	5135-224522	RES, CBN 1/2P 220K
593	C475	5359-3315851	CAP, PPP 330p	611	R430	5135-224522	RES, CBN 1/2P 220K
593	C476	5359-3315851	CAP, PPP 330p	618	R431	5135-121522	RES, CBN 1/2P 120
585	C505	5345-225F0951	CAP, MINI ELE 2.2 μ 50V	618	R432	5135-121522	RES, CBN 1/2P 120
585	C506	5345-225F0951	CAP, MINI ELE 2.2 μ 50V	612	R433	5135-272522	RES, CBN 1/2P 2.7K
596	C507	5354-273J1HM	CAP, MYL .027 μ	612	R434	5135-272522	RES, CBN 1/2P 2.7K
596	C508	5354-273J1HM	CAP, MYL .027 μ	613	R435	5135-223522	RES, CBN 1/2P 22K
588	C509	5345-154F0951	CAP, MINI ELE .15 μ 50V	613	R436	5135-223522	RES, CBN 1/2P 22K
588	C510	5345-154F0951	CAP, MINI ELE .15 μ 50V	613	R437	5135-223522	RES, CBN 1/2P 22K
586	C511	5345-106C0951	CAP, MINI ELE 10 μ 16V	613	R438	5135-223522	RES, CBN 1/2P 22K
586	C512	5345-106C0951	CAP, MINI ELE 10 μ 16V	624	R439	5135-153522	RES, CBN 1/2P 15K
597	C513	5354-682J1HM	CAP, MYL 6800p	624	R440	5135-153522	RES, CBN 1/2P 15K
597	C514	5354-682J1HM	CAP, MYL 6800p	614	R441	5135-123522	RES, CBN 1/2P 12K
598	C515	5354-393J1HM	CAP, MYL .039 μ	614	R442	5135-123522	RES, CBN 1/2P 12K
598	C516	5354-393J1HM	CAP, MYL .039 μ	633	R443	5174-222381	RES, MTL 1/4P 2.2K
591	C517	5359-6805851	CAP, PPP 68p	633	R444	5174-222381	RES, MTL 1/4P 2.2K
591	C518	5359-6805851	CAP, PPP 68p	633	R445	5174-222381	RES, MTL 1/4P 2.2K
RESISTORS							
668	R6	5135-103522	RES, CBN 1/2P 10K	636	Δ R447	5102-4705116	RES, FUSE 47
670	R9	5135-472522	RES, CBN 1/2P 4.7K	636	Δ R448	5102-4705116	RES, FUSE 47
670	R10	5135-472522	RES, CBN 1/2P 4.7K	636	Δ R449	5102-4705116	RES, FUSE 47
667	R11	5135-822522	RES, CBN 1/2P 8.2K	636	Δ R450	5102-4705116	RES, FUSE 47
669	R12	5135-104522	RES, CBN 1/2P 100K	602	R455	5135-221522	RES, CBN 1/2P 220
675	R13	5135-683522	RES, CBN 1/2P 68K	602	R456	5135-221522	RES, CBN 1/2P 220
676	R14	5135-333522	RES, CBN 1/2P 33K	615	R457	5135-391522	RES, CBN 1/2P 390
672	R15	5135-223522	RES, CBN 1/2P 22K	615	R458	5135-391522	RES, CBN 1/2P 390
677	R16	5135-222522	RES, CBN 1/2P 2.2K	625	R459	5135-183522	RES, CBN 1/2P 18K
674	R17	5135-472522	RES, CBN 1/2P 4.7K	625	R460	5135-183522	RES, CBN 1/2P 18K
674	R18	5135-472522	RES, CBN 1/2P 4.7K	625	R461	5135-183522	RES, CBN 1/2P 18K
673	R19	5135-821522	RES, CBN 1/2P 820	625	R462	5135-183522	RES, CBN 1/2P 18K
673	R20	5135-821522	RES, CBN 1/2P 820	617	R463	5135-100522	RES, CBN 1/2P 10
674	R21	5135-101522	RES, CBN 1/2P 100	617	R464	5135-100522	RES, CBN 1/2P 10
674	R22	5135-101522	RES, CBN 1/2P 100	617	R465	5135-100522	RES, CBN 1/2P 10
670	R23	5135-472522	RES, CBN 1/2P 4.7K	617	R466	5135-100522	RES, CBN 1/2P 10
670	R24	5135-472522	RES, CBN 1/2P 4.7K	637	Δ R467	5102-1005116	RES, FUSE 10
				637	Δ R468	5102-1005116	RES, FUSE 10
				637	Δ R469	5102-1005116	RES, FUSE 10
				637	Δ R470	5102-1005116	RES, FUSE 10

Ser.No	Ref. No.	Part No.	Description
639	R471/ 489	5273-R27672	RES, CEM 3P 27
639	R472/ 490	5273-R27672	RES, CEM 3P 27
605	R475	5135-122522	RES, CBN 1/2P 1.2K
605	R476	5135-122522	RES, CBN 1/2P 1.2K
061D	△R477	5102-5R65116	RES, FUSE 5.6
061D	△R478	5102-5R65116	RES, FUSE 5.6
061D	△R479	5102-5R65116	RES, FUSE 5.6
061D	△R480	5102-5R65116	RES, FUSE 5.6
616	R483	5135-820522	RES, CBN 1/2P 82
616	R484	5135-820522	RES, CBN 1/2P 82
627	R491	5135-4R7522	RES, CBN 1/2P 4.7
627	R492	5135-4R7522	RES, CBN 1/2P 4.7
627	R493	5135-4R7522	RES, CBN 1/2P 4.7
627	R494	5135-4R7522	RES, CBN 1/2P 4.7
626	R495	5135-220522	RES, CBN 1/2P 22
626	R496	5135-220522	RES, CBN 1/2P 22
607	R499	5135-680522	RES, CBN 1/2P 68
607	R500	5135-680522	RES, CBN 1/2P 68
619	R501	5135-331522	RES, CBN 1/2P 330
619	R502	5135-331522	RES, CBN 1/2P 330
620	R507	5135-153522	RES, CBN 1/2P 15K
620	R508	5135-153522	RES, CBN 1/2P 15K
621	R509	5135-272522	RES, CBN 1/2P 2.7K
621	R510	5135-272522	RES, CBN 1/2P 2.7K
622	R513	5135-681522	RES, CBN 1/2P 680
622	R514	5135-681522	RES, CBN 1/2P 680

TRANSISTORS

652	Q1	5611-933S(S)	XISTOR, PNP R
651	Q2	5613-1740S(S)	XISTOR, NPN R
655	Q3	5611-970(BL)	XISTOR, PNP R
653	Q4	5611-970(BL)	XISTOR, PNP R
653	Q5	5611-970(BL)	XISTOR, PNP R
651	Q7	5613-1740S(S)	XISTOR, NPN R
561	Q401	5613-2240(BL)	XISTOR, NPN R
561	Q402	5613-2240(BL)	XISTOR, NPN R
561	Q403	5613-2240(BL)	XISTOR, NPN R
561	Q404	5613-2240(BL)	XISTOR, NPN R
562	Q405	5613-2320L(F)	XISTOR, NPN R
562	Q406	5613-2320L(F)	XISTOR, NPN R
562	Q407	5613-2320L(F)	XISTOR, NPN R
562	Q408	5613-2320L(F)	XISTOR, NPN R
563	Q409	5611-970(BL)	XISTOR, PNP R
563	Q410	5611-970(BL)	XISTOR, PNP R
574	Q411	5613-2320L(F)	XISTOR, NPN R
574	Q412	5613-2320L(F)	XISTOR, NPN R
573	Q413	5613-2240(BL)	XISTOR, NPN R
573	Q414	5613-2240(BL)	XISTOR, NPN R
578	Q415	5611-999L(F)	XISTOR, PNP R
578	Q416	5611-999L(F)	XISTOR, PNP R
564	Q417	5612-646A(C)	XISTOR, PNP A
564	Q418	5612-646A(C)	XISTOR, PNP A
565	Q419	5614-666A(C)	XISTOR, NPN A
565	Q420	5614-666A(C)	XISTOR, NPN A
566	Q425	5613-945(P)	XISTOR, NPN R
566	Q426	5613-945(P)	XISTOR, NPN R
567	Q427	5613-3298(Y)	XISTOR, NPN R
567	Q428	5613-3298(Y)	XISTOR, NPN R
568	Q429	5611-1306(Y)	XISTOR, PNP R
568	Q430	5611-1306(Y)	XISTOR, PNP R
569	△Q431	5613-3182(O)	XISTOR, NPN R
569	△Q432	5613-3182(O)	XISTOR, NPN R
571	△Q433	5611-1265(O)	XISTOR, PNP R
571	△Q434	5611-1265(O)	XISTOR, PNP R

DIODES

681	△D1	5632-ERC402FL	DIODE, RECT
681	△D2	5632-ERC402FL	DIODE, RECT

Ser.No	Ref. No.	Part No.	Description
681	△D3	5632-ERC402FL	DIODE, RECT
681	△D4	5632-ERC402FL	DIODE, RECT
656	△D5	5636-1S2471	DIODE, SWITCH
656	△D6	5636-1S2471	DIODE, SWITCH
657	D11	5635-HZ6B-1L	DIODE, ZENER
658	D13	5631-1S2473	DIODE, DET
658	D14	5631-1S2473	DIODE, DET
575	D407	5631-1S2473	DIODE, DET
575	D408	5631-1S2473	DIODE, DET
576	D409	5635-HZ12B2L	DIODE, ZENER
576	D410	5635-HZ12B2L	DIODE, ZENER

COILS

644	L405	5991-7165	SPRING COIL
644	L406	5991-7165	SPRING COIL

CONTROLS

641	VR401	5101-50171913	RES, SEMI FIX 500
641	VR402	5101-50171913	RES, SEMI FIX 500
720	VR501/ 502	5113-50399122	RES, V CBN 16 50K
714	VR505/ 506	5113-10441122	RES, V CBN 16 100K
717	VR507/ 508	5113-50342122	RES, V CBN 16 50K

MISCELLANEOUS

699	CN601	4443-030185	CONNECTOR
764	JL107	4242-R0203600	JUMPER LEAD
763	JL109	4242-R0103201	JUMPER LEAD
762	JL110	4242-R0104181	JUMPER LEAD
755	JL801(L)	4132-R0202800	CORD, 2C
755	JL801(R)	4132-R0202800	CORD, 2C
747	LCN2	4163-0140026	CONNECTOR W/W
748	LCN3	4163-0140027	CONNECTOR W/W
749	LCN4	4163-0140024	CONNECTOR W/W
750	LCN5	4163-0140025	CONNECTOR W/W
751	LCN6	4163-0112024	CONNECTOR W/W
751	LCN7	4163-0112024	CONNECTOR W/W
751	LCN8	4163-0112024	CONNECTOR W/W
694	TM101	4214-11033	TERMINAL
646	TM110	4214-11013	TERMINAL

MISCELLANEOUS

761	JL120	4242-043805	JUMPER LEAD
743	TM10	4214-156	TERMINAL

MISCELLANEOUS

736	J1	4451-00159	JACK, 1P
-----	----	------------	----------

CAPACITOR

665	C11	5345-106C0951	CAP, MINI ELE 10μ16V
-----	-----	---------------	----------------------

DIODE

741	D9	5637-GL5EG41	LED
-----	----	--------------	-----

RESISTORS

632	R497	5135-561522	RES, CBN 1/2P 560
632	R498	5135-561522	RES, CBN 1/2P 560

Ser.No	Ref. No.	Part No.	Description
MISCELLANEOUS			
765	JL108	4242-R0103101	JUMPER LEAD
729	SW5	4411-00301104	SWITCH, ROTARY

PCB-6 VR P.C. BOARD

RESISTORS			
631	R571	5135-273522	RES, CBN 1/2P 27K
631	R572	5135-273522	RES, CBN 1/2P 27K
CONTROLS			
711	VR503/ 504	5113-10419122	RES, V CBN 16 100K

PCB-7 POWER SWITCH P.C. BOARD

CAPACITORS			
688	△C1	5352-S010M103	CAP, MTL .01μ
688B	△C1	5352-1030958	CAP, MTL .01μ G GB BB I IB
RESISTOR			
054B	△R1	5135-335522	RES, CBN 1/2P 3.3M G GB BB I IB
MISCELLANEOUS			
684	△HF1	4472-0131	HOLDER, FUSE
684	△HF2	4472-0131	HOLDER, FUSE
732	△SW1	4433-00401	SWITCH, PU-PW
696	TM1	4214-122	TERMINAL
696	TM2	4214-122	TERMINAL BK
696	TM3	4214-122	TERMINAL

PCB-8 LOUDNESS P.C. BOARD

CAPACITORS			
589	C575	5359-1815851	CAP, PPP 180p
589	C576	5359-1815851	CAP, PPP 180p
594	C577	5354-823J1HM	CAP, MYL .082μ
594	C578	5354-823J1HM	CAP, MYL .082μ
RESISTORS			
629	R573	5135-472522	RES, CBN 1/2P 4.7K
629	R574	5135-472522	RES, CBN 1/2P 4.7K
630	R575	5135-273522	RES, CBN 1/2P 27K
630	R576	5135-273522	RES, CBN 1/2P 27K
MISCELLANEOUS			
766	JL111	4242-R0105800	JUMPER LEAD
733	SW8	4431-A027610	SWITCH, PUSH

PCB-9 P.C. BOARD

MISCELLANEOUS			
700	CN107	4443-030185	CONNECTOR
768	JL101	4242-R0103181	JUMPER LEAD
769	JL103	4242-R0104301	JUMPER LEAD
772	JL104	4242-R0107301	JUMPER LEAD
771	JL105	4242-R0107251	JUMPER LEAD
770	JL106	4242-R0105181	JUMPER LEAD
753	LCN10	4163-0112039	CONNECTOR W/W
723	SW3	4411-00203104	SWITCH, ROTARY
726	SW4	4411-00204204	SWITCH, ROTARY
695	TM102	4214-11013	TERMINAL

Ser.No Ref. No. Part No. Description

PCB-10 EQUALIZER P.C. BOARD

CAPACITORS			
058B	C552	5361-103ZF	CAP, CER .01μ G GB
059B	C553	5361-101KSL	CAP, CER 100p G GB
059B	C554	5361-101KSL	CAP, CER 100p G GB
060B	C555	5361-101KSL	CAP, CER 100p G GB
060B	C556	5361-101KSL	CAP, CER 100p G GB
513	C601	5345-336C0951	CAP, MINI ELE 33μ/16V
513	C602	5345-336C0951	CAP, MINI ELE 33μ/16V
520	C603	5359-1215851	CAP, PPP 120p
520	C604	5359-1215851	CAP, PPP 120p
514	C605	5345-227A0951	CAP, MINI ELE 220μ/6.3V
514	C606	5345-227A0951	CAP, MINI ELE 220μ/6.3V
521	C607	5359-5625851	CAP, PPP 5600p
521	C608	5359-5625851	CAP, PPP 5600p
522	C609	5359-2025851	CAP, PPP 2000p
522	C610	5359-2025851	CAP, PPP 2000p
515	C611	5345-106C0951	CAP, MINI ELE 10μ/16V
515	C612	5345-106C0951	CAP, MINI ELE 10μ/16V
517	C613	5345-337F041	CAP, MINI ELE 330μ/50V
516	C614	5345-227D041	CAP, MINI ELE 220μ/25V
516	C615	5345-227D041	CAP, MINI ELE 220μ/25V
523	C617	5353-040934	CAP, MCA 4p
523	C618	5353-040934	CAP, MCA 4p
519	C619	5359-8215851	CAP, PPP 820p
519	C620	5359-8215851	CAP, PPP 820p
056B	C631	5353-101534	CAP, MCA 100p G GB
056B	C632	5353-101534	CAP, MCA 100p G GB
059B	C633	5361-101KSL	CAP, CER 100p G GB
059B	C634	5361-101KSL	CAP, CER 100p G GB

RESISTORS			
064B	R561	5135-102522	RES, CBN 1/2P 1K G GB
064B	R562	5135-102522	RES, CBN 1/2P 1K G GB
064B	R563	5135-102522	RES, CBN 1/2P 1K G GB
064B	R564	5135-102522	RES, CBN 1/2P 1K G GB
526	R601	5232-823J16P	RES, CBN 1/6P 82K
526	R602	5232-823J16P	RES, CBN 1/6P 82K
527	R603	5232-124J16P	RES, CBN 1/6P 120K
527	R604	5232-124J16P	RES, CBN 1/6P 120K
528	R605	5232-221J16P	RES, CBN 1/6P 220
528	R606	5232-221J16P	RES, CBN 1/6P 220
529	R607	5154-122J25R	RES, CBN 1/4P 1.2K
529	R608	5154-122J25R	RES, CBN 1/4P 1.2K
530	R609	5178-220381	RES, MTL 1/6P 22
530	R610	5178-220381	RES, MTL 1/6P 22
531	R611	5154-122J25R	RES, CBN 1/4P 1.2K
531	R612	5154-122J25R	RES, CBN 1/4P 1.2K
532	R613	5232-223J16P	RES, CBN 1/6P 22K
532	R614	5232-223J16P	RES, CBN 1/6P 22K
541	R615	5232-820J16P	RES, CBN 1/6P 82
541	R616	5232-820J16P	RES, CBN 1/6P 82
533	R617	5232-121J16P	RES, CBN 1/6P 120
533	R618	5232-121J16P	RES, CBN 1/6P 120
534	R621	5232-821J16P	RES, CBN 1/6P 820
534	R622	5232-821J16P	RES, CBN 1/6P 820
535	R623	5232-393J16P	RES, CBN 1/6P 39K
535	R624	5232-393J16P	RES, CBN 1/6P 39K
536	R625	5232-564J16P	RES, CBN 1/6P 560K
536	R626	5232-564J16P	RES, CBN 1/6P 560K
537	R627	5232-334J16P	RES, CBN 1/6P 330K
537	R628	5232-334J16P	RES, CBN 1/6P 330K
538	R629	5232-102J16P	RES, CBN 1/6P 1K
538	R630	5232-102J16P	RES, CBN 1/6P 1K
539	R631	5232-104J16P	RES, CBN 1/6P 100K
539	R632	5232-104J16P	RES, CBN 1/6P 100K
538	R633	5232-102J16P	RES, CBN 1/6P 1K
538	R634	5232-102J16P	RES, CBN 1/6P 1K

Ser.No	Ref. No.	Part No.	Description
540	R635	5232-222J16P	RES, CBN 1/6P 2.2K
540	R636	5232-222J16P	RES, CBN 1/6P 2.2K
545	R637	5135-391522	RES, CBN 1/2P 390
545	R638	5135-391522	RES, CBN 1/2P 390
551	△R639	5102-1814715	RES, FUSE 180
544	R641	5135-123522	RES, CBN 1/2P 12K
055B	R651	5232-102J16P	RES, CBN 1/6P 1K G GB
055B	R652	5232-102J16P	RES, CBN 1/6P 1K G GB
055B	R653	5232-102J16P	RES, CBN 1/6P 1K G GB
055B	R654	5232-102J16P	RES, CBN 1/6P 1K G GB
055B	R655	5232-102J16P	RES, CBN 1/6P 1K G GB
055B	R656	5232-102J16P	RES, CBN 1/6P 1K G GB
055B	R657	5232-102J16P	RES, CBN 1/6P 1K G GB
055B	R658	5232-102J16P	RES, CBN 1/6P 1K G GB
055B	R659	5232-102J16P	RES, CBN 1/6P 1K G GB
055B	R660	5232-102J16P	RES, CBN 1/6P 1K G GB
055B	R671	5232-102J16P	RES, CBN 1/6P 1K G GB
055B	R672	5232-102J16P	RES, CBN 1/6P 1K G GB
055B	R673	5232-102J16P	RES, CBN 1/6P 1K G GB
055B	R674	5232-102J16P	RES, CBN 1/6P 1K G GB
540	R681	5232-222J16P	RES, CBN 1/6P 2.2K
540	R682	5232-222J16P	RES, CBN 1/6P 2.2K

TRANSISTORS

501	Q601	5613-2320L(F)	XISTOR, NPN R
501	Q602	5613-2320L(F)	XISTOR, NPN R
503	Q603	5611-999L(F)	XISTOR, PNP R
503	Q604	5611-999L(F)	XISTOR, PNP R
504	Q605	5611-999L(F)	XISTOR, PNP R
504	Q606	5611-999L(F)	XISTOR, PNP R
501	Q607	5613-2320L(F)	XISTOR, NPN R
501	Q608	5613-2320L(F)	XISTOR, NPN R
501	Q609	5613-2320L(F)	XISTOR, NPN R
501	Q610	5613-2320L(F)	XISTOR, NPN R
501	Q611	5613-2320L(F)	XISTOR, NPN R
501	Q612	5613-2320L(F)	XISTOR, NPN R
505	Q613	5612-941(Q)	XISTOR, PNP A

DIODES

509	D601	5635-HZ18-2L	DIODE, ZENER
510	D602	5632-S5566B	DIODE, RECT

MISCELLANEOUS

737	J2	4482-0133	PIN JACK, 2P
738	J3	4484-46	PIN JACK, 4P
738	J4	4484-46	PIN JACK, 4P
739	J5	4486-15	PIN JACK, 6P
767	JL102	4242-R0203101	JUMPER LEAD
752	LCN601	4163-0140039	CONNECTOR W/W

RESISTORS

634	R801(L)	5135-182522	RES, CBN 1/2P 1.8K
635	R802(L)	5135-122522	RES, CBN 1/2P 1.2K

TRANSISTOR

579	Q801(L)	5613-2682(Q)	XISTOR, NPN R
-----	---------	--------------	---------------

RESISTORS

634	R801(R)	5135-182522	RES, CBN 1/2P 1.8K
635	R802(R)	5135-122522	RES, CBN 1/2P 1.2K

TRANSISTOR

579	Q801(R)	5613-2682(Q)	XISTOR, NPN R
-----	---------	--------------	---------------

Ser.No Ref. No. Part No. Description

CHASSIS MISCELLANEOUS

MISCELLANEOUS

052B	△CO1	4443-712	CONNECTOR G GB BB I IB
685	△F1	5732-312031	FUSE BK
685B	△F1	5732-162052	FUSE G GB BB I IB
745	△P1	4161-71151	CORD W/PLUG BK
745B	△P1	4161-7256	CORD W/PLUG G GB I IB
745D	△P1	4161-04100	CORD W/PLUG BB
744	△SO1	4474-227	SOCKET BK
734	△SW2	4464-00101012	SWITCH, SEESAW BK
734B	△SW2	4464-00102022	SWITCH, SEESAW G GB BB I IB
051B	△SW101	4411-102729	SWITCH, ROTARY G GB BB I IB
683	△T1	5584-S2505	XFORMER, POWER BK
683B	△T1	5584-S2506	XFORMER, POWER G GB BB I IB
053B		4150-8	TUBING, SPE G GB BB I IB
062B		4211-4	LUG G GB BB

PACKAGE PARTS LIST

021	1756-06303	LABEL G GB BB I IB
022	1756-03124	LABEL G GB
022	1756-03111	LABEL BB
022	1756-03108	LABEL I IB
027	1119-0135	ATTACH SHEET G GB
028	1756-08501	LABEL BB
031	1111-J30319	OWNER GUIDE BB
106	1119-01201	ATTACH SHEET BK
107	1111-J30311	OWNER GUIDE BK
107	1111-J30312	OWNER GUIDE G GB I IB
108	1113-717004	OWNER CARD BK
109	1119-047	ATTACH SHEET BK
110	1119-0137	ATTACH SHEET BK
111	1119-01201	ATTACH SHEET BK
121	1241-C12732	POLYETHYLENE BAG
122	1241-C1491	POLYETHYLENE BAG
124	1221-967144	CARTON BOX G I
124	1221-977144	CARTON BOX BK GB BB I B
125	1222-7216	CUSHION
127	1223-11729	SOFT SHEET

ABBREVIATIONS IN PARTS LIST

CAPACITORS

CAP, MINI ELE	: Electrolytic
CAP, CER	: Ceramic
CAP, PPP	: Polypropylene
CAP, MYL	: Mylar
CAP, MCA	: Mica
CAP, MINI BP	: Bipolar
CAP, ELE BP	: Electrolytic Bipolar
CAP, STY	: Polystyrene Film
CAP, SPE	: Special
CAP, TAN	: Tantalum

RESISTORS

RES, CBN 1/6P	: Carbon 1/6W
RES, FUSE	: Fuse
RES, CEM 5P	: Cement 5W
RES, MTL 1P	: Metal 1W
2.2K	: 2.2KΩ
220	: 220Ω

TRANSISTORS

XISTOR	: Transistor
FET	: Field Effect Transistor

CONTROLS

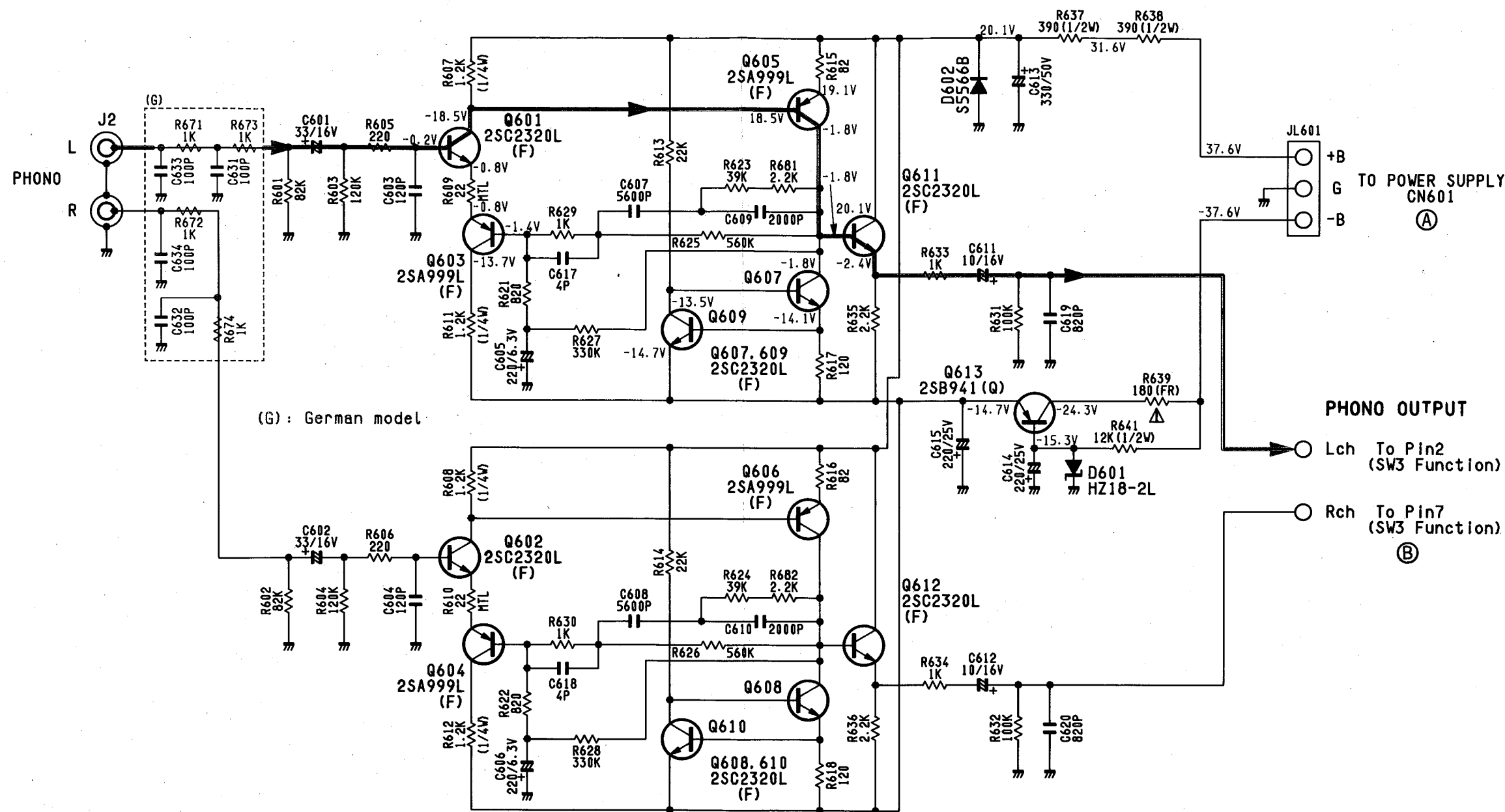
RES, V CBN	: Variable Carbon Resistor
RES, SEMI FIX	: Semi-fixed Resistor

NOTE



SAFETY RELATED COMPONENT. USE ONLY EXACT REPLACEMENT PART AS SPECIFIED.

SCHMATIC DIAGRAM (PHONO AMP SECTION)



(G): German model.

PHONO OUTPUT
 Lch To Pin2 (SW3 Function)
 Rch To Pin7 (SW3 Function)

TO POWER SUPPLY
 CN601
 (A)

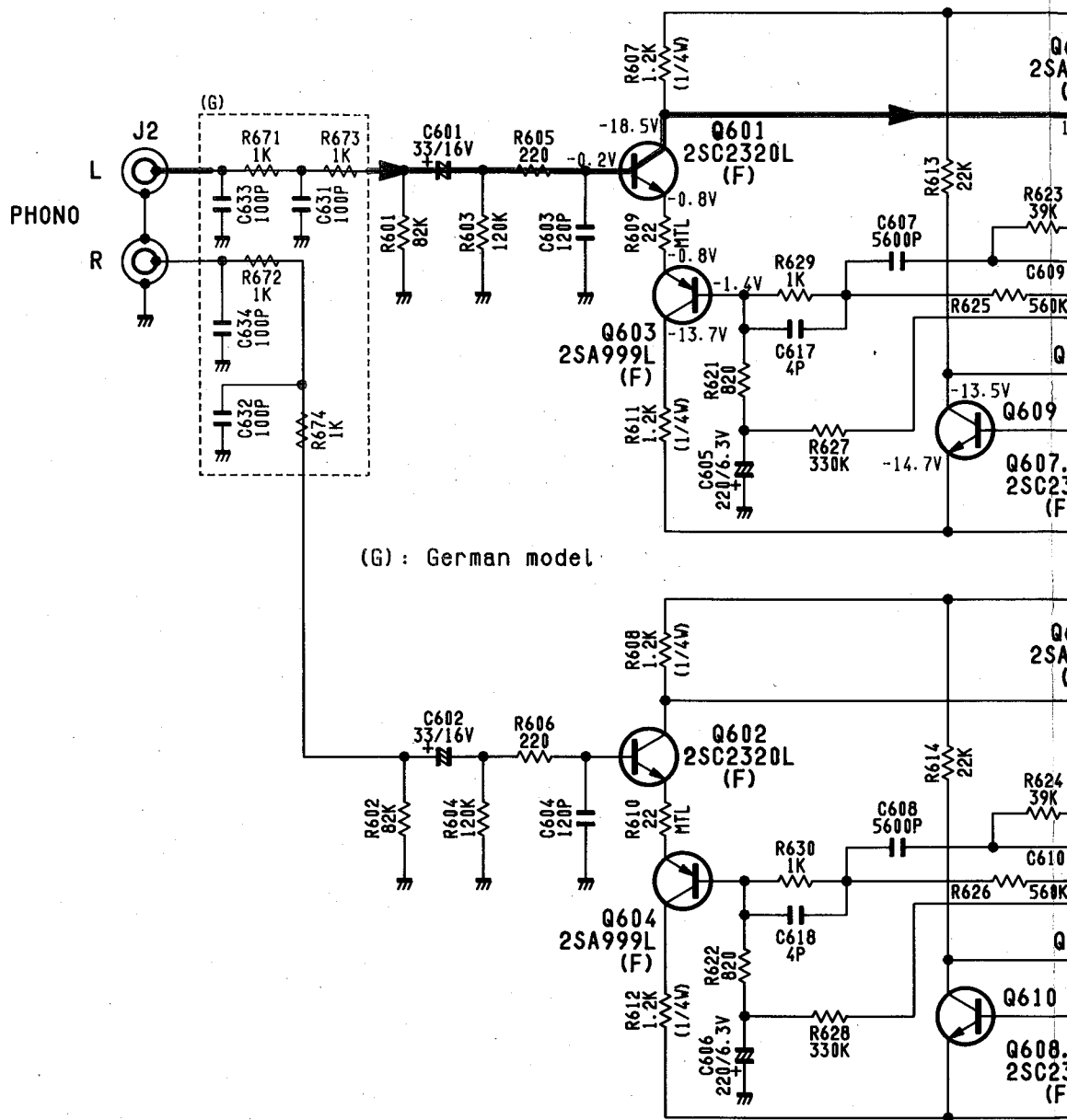
(B)

NOTE:

1. ALL RESISTANCES VALUES ARE IN Ω .
 $K\Omega=1000\Omega$. $M\Omega=1000K\Omega$.
2. THE WATTAGE OF RESISTORS IS 1/6W UNLESS OTHERWISE NOTED.
3. ALL CAPACITANCES VALUES ARE IN μF UNLESS OTHERWISE NOTED. P= μF .
4. ...V:DC VOLTAGE AT NO SIGNAL UNLESS OTHERWISE NOTED.
5. SAFETY REQUIREMENTS COMPONENTS IN ACCORDANCE WITH PRESENT SAFETY REGULATIONS. THESE COMPONENTS MUST ONLY BE REPLACED BY ORIGINAL PARTS.



SCHEMATIC DIAGRAM (PHONO AMP SECTION)

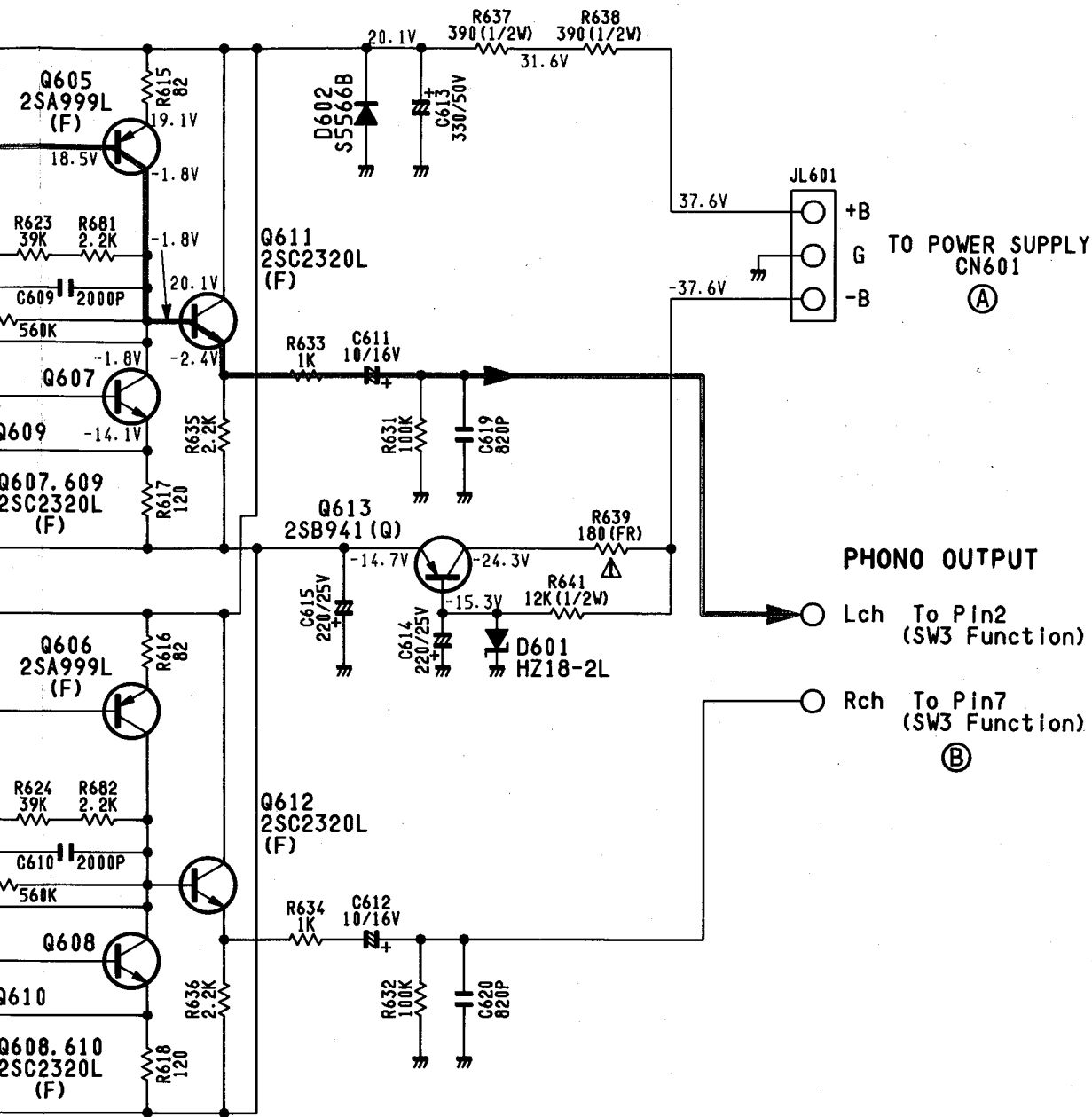


(G) : German model

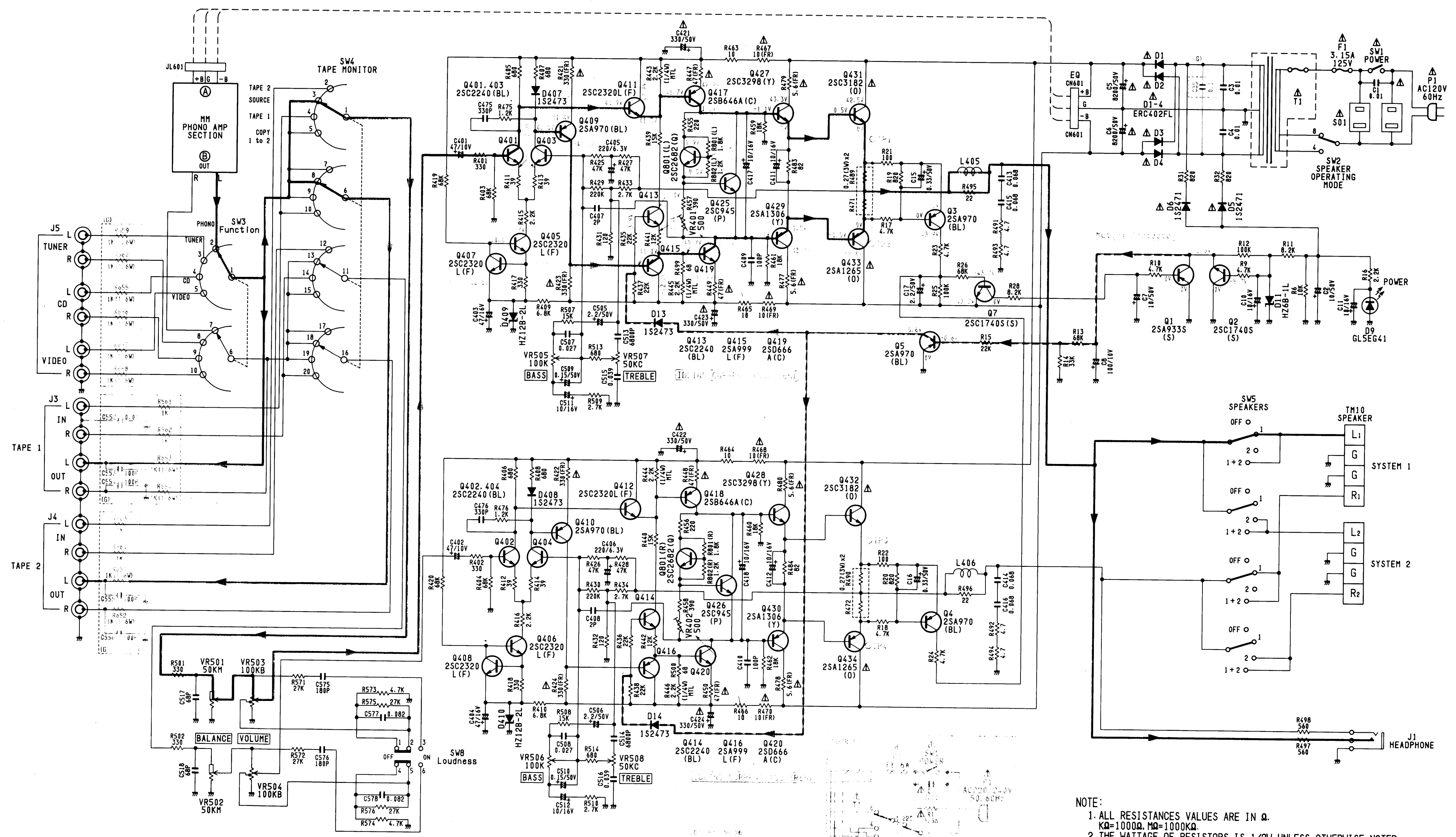
NOTE:

1. ALL RESISTANCES VALUES ARE IN Ω .
K Ω =1000 Ω , M Ω =1000K Ω .
2. THE WATTAGE OF RESISTORS IS 1/6W UNLESS OTHERWISE NOTED.
3. ALL CAPACITANCES VALUES ARE IN μ F UNLESS OTHERWISE NOTED. P=# μ F.
4. ...V:DC VOLTAGE AT NO SIGNAL UNLESS OTHERWISE NOTED.
5. SAFETY REQUIREMENTS COMPONENTS IN ACCORDANCE WITH PRESENT SAFETY REGULATIONS. THESE COMPONENTS MUST ONLY BE REPLACED BY ORIGINAL PARTS.



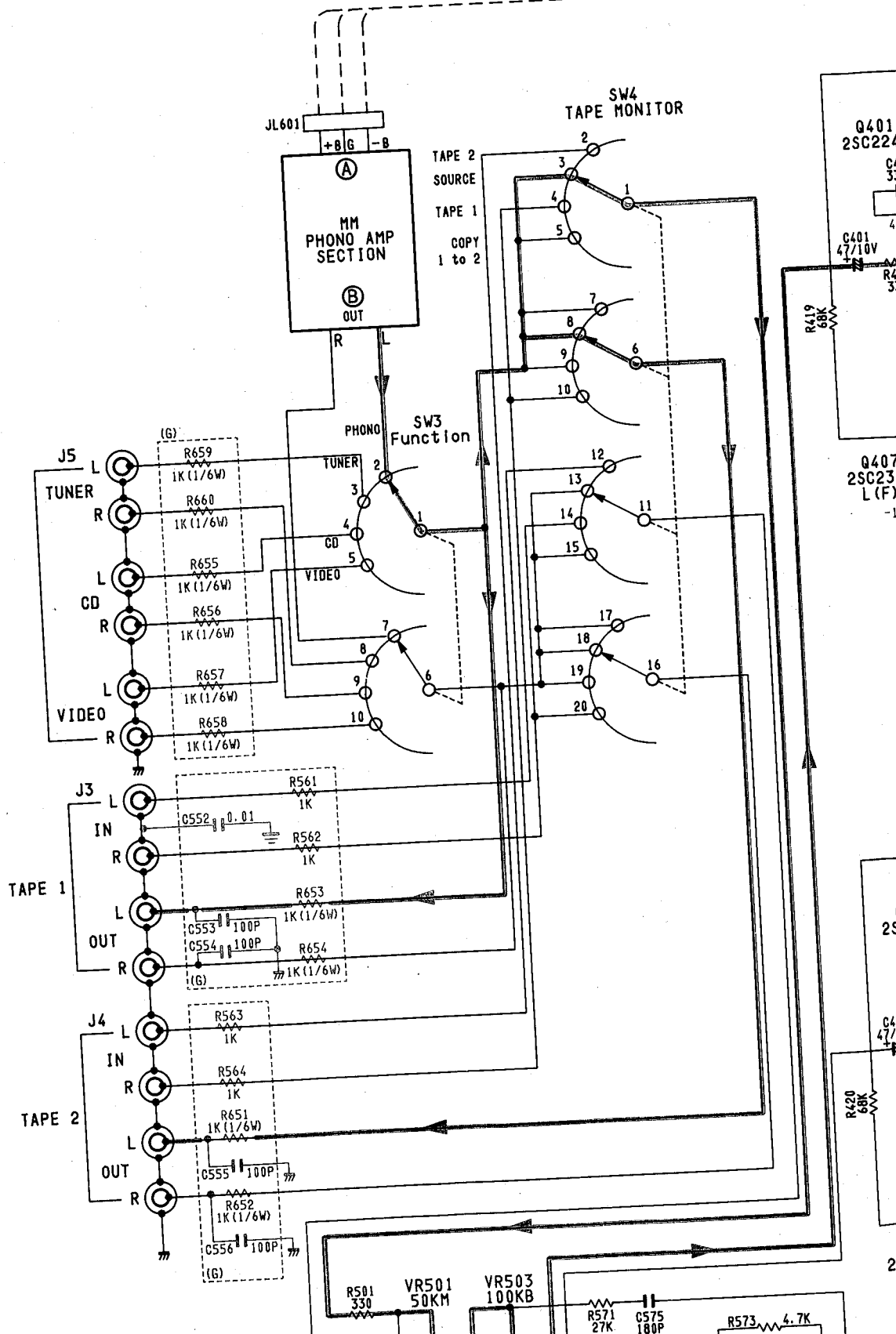


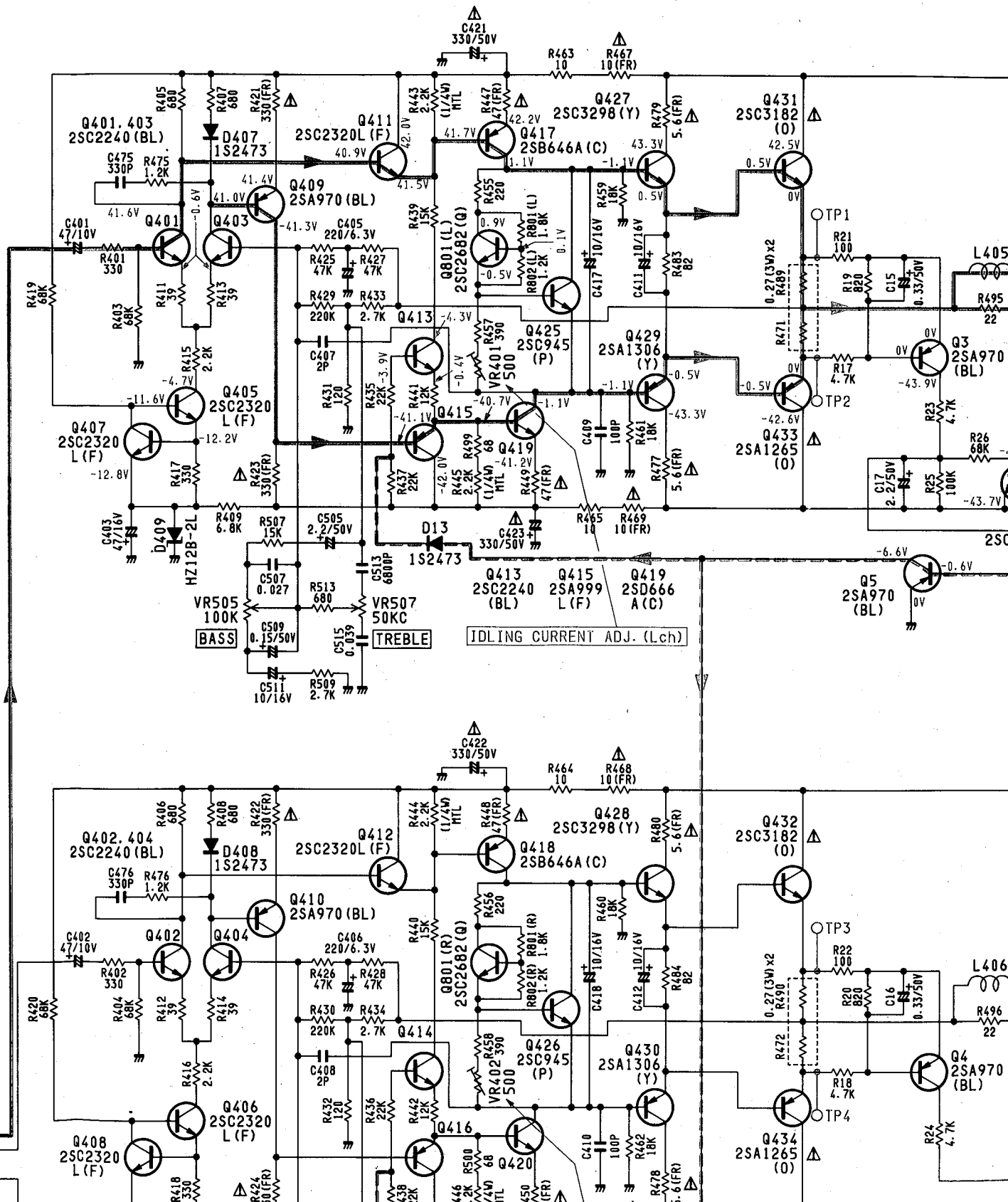
SCHEMATIC DIAGRAM

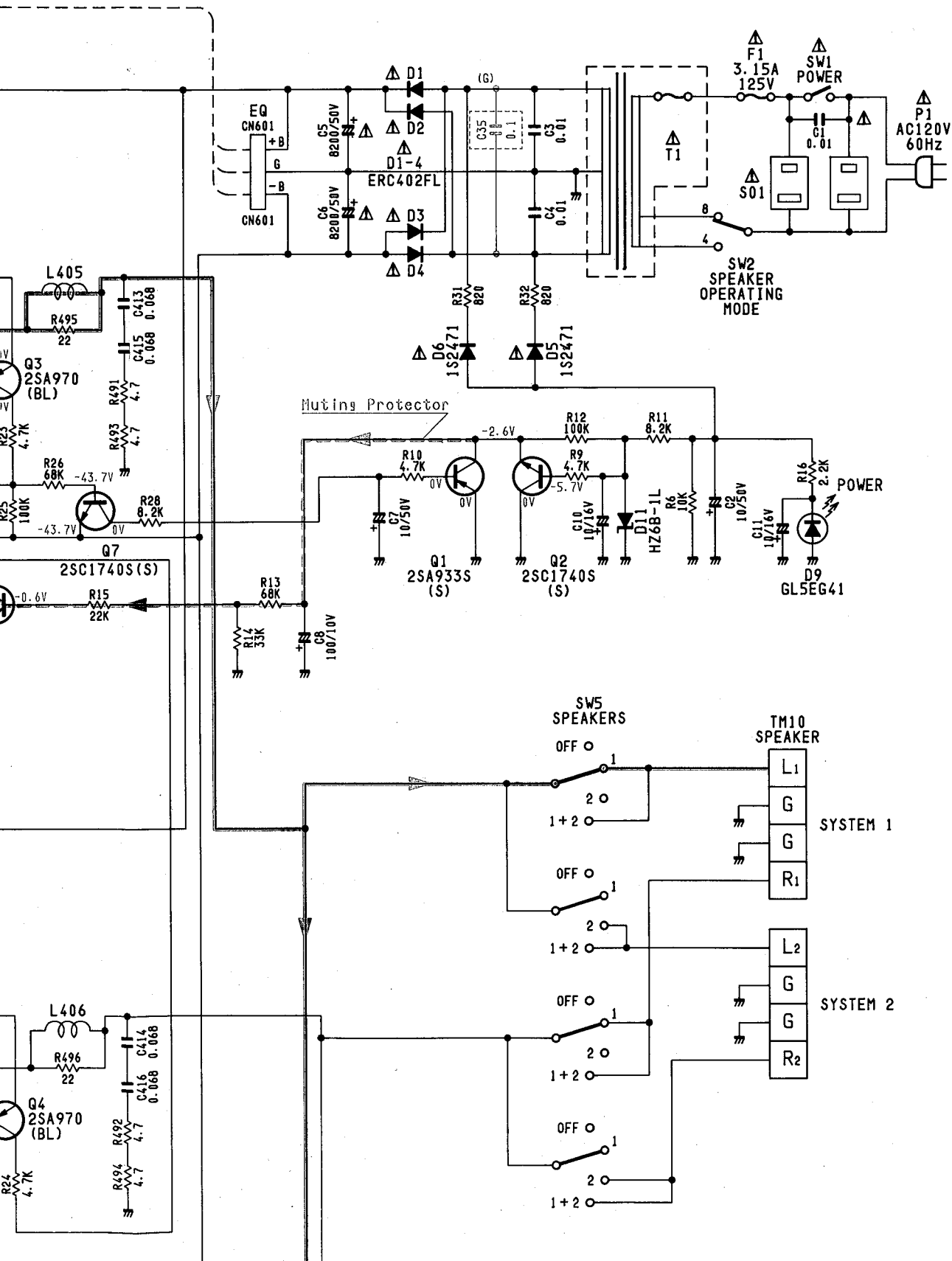


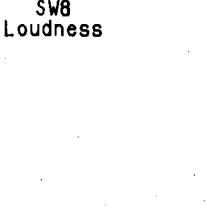
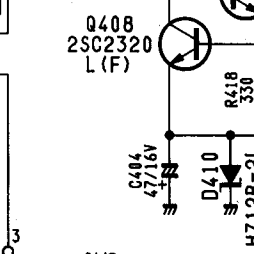
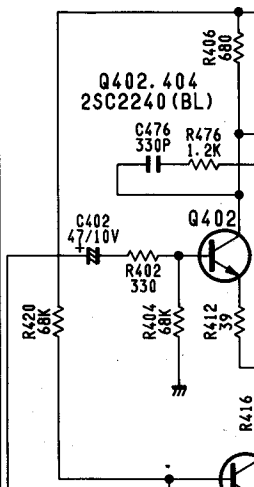
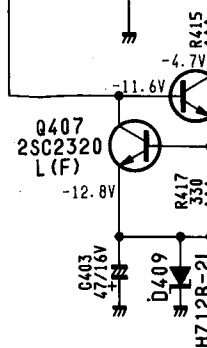
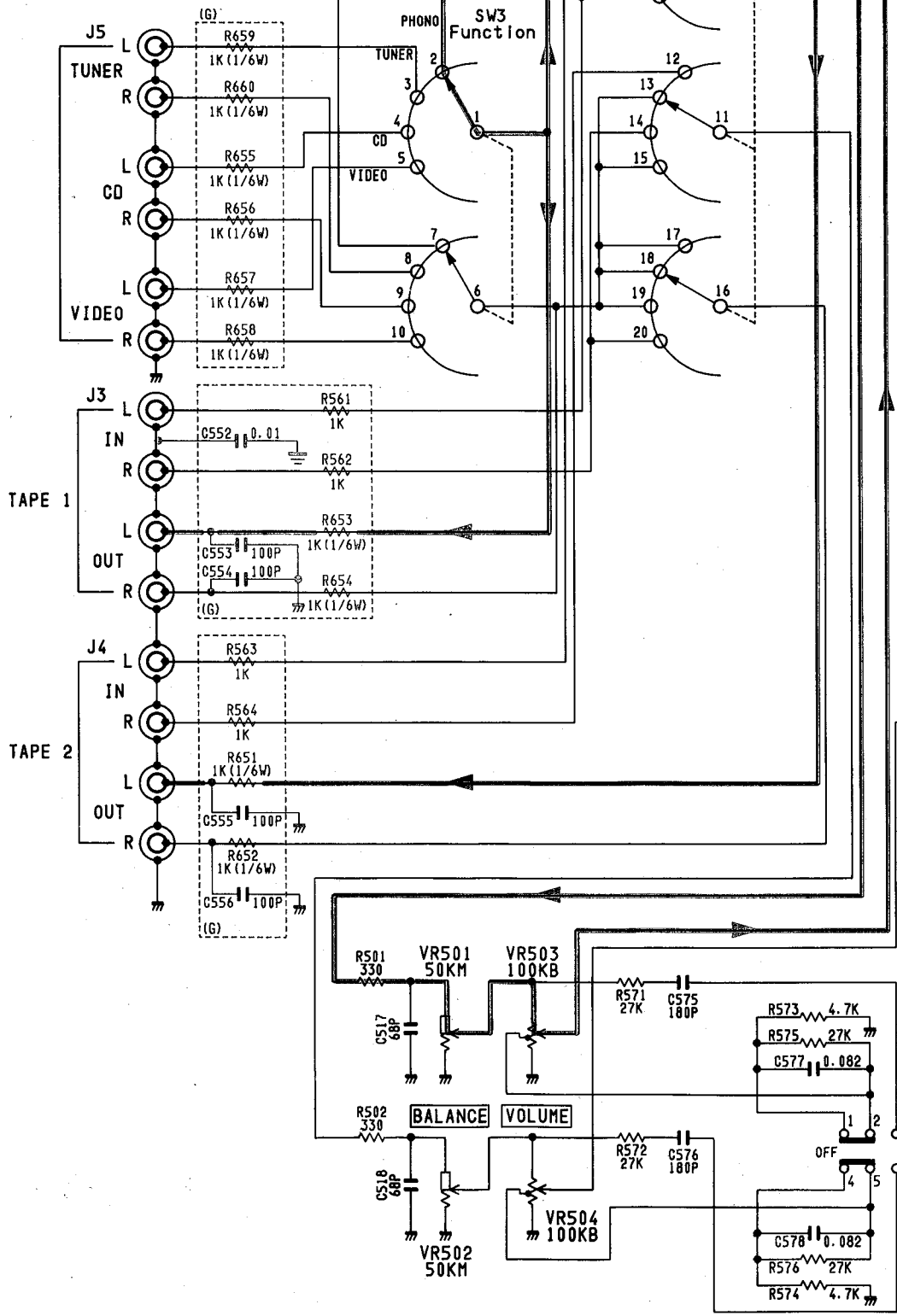
- NOTE:
1. ALL RESISTANCES VALUES ARE IN Ω .
K Ω =1000 Ω , M Ω =1000K Ω .
 2. THE WATTAGE OF RESISTORS IS 1/2W UNLESS OTHERWISE NOTED.
 3. ALL CAPACITANCES VALUES ARE IN μ F UNLESS OTHERWISE NOTED. P= μ F.
 4. ... V:DC VOLTAGE AT NO SIGNAL UNLESS OTHERWISE NOTED.
 5. SAFETY REQUIREMENTS COMPONENTS IN ACCORDANCE WITH PRESENT SAFETY REGULATIONS. THESE COMPONENTS MUST ONLY BE REPLACED BY ORIGINAL PARTS.

SCHEMATIC DIAGRAM

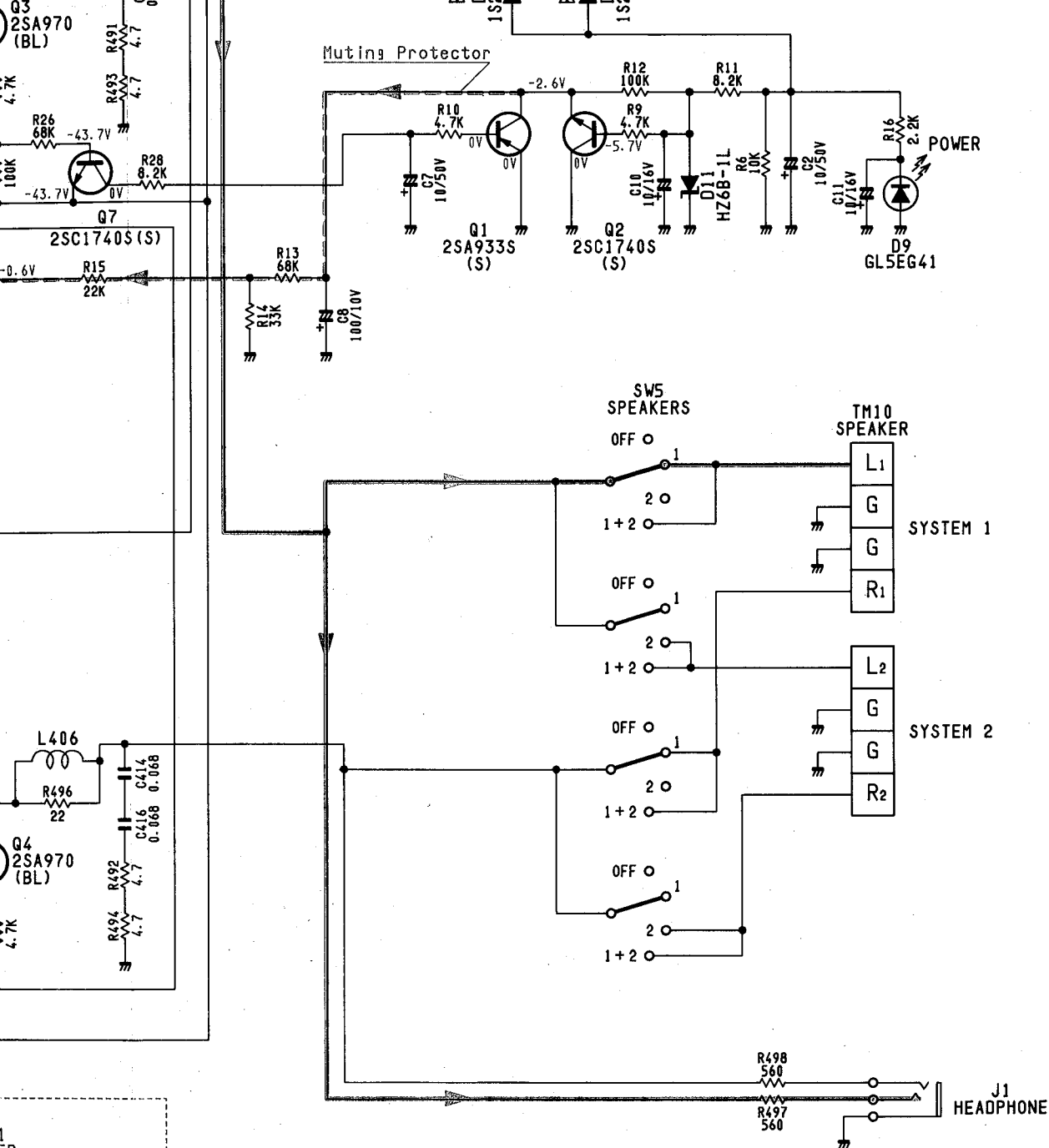








4
5
6
7
8
9
10

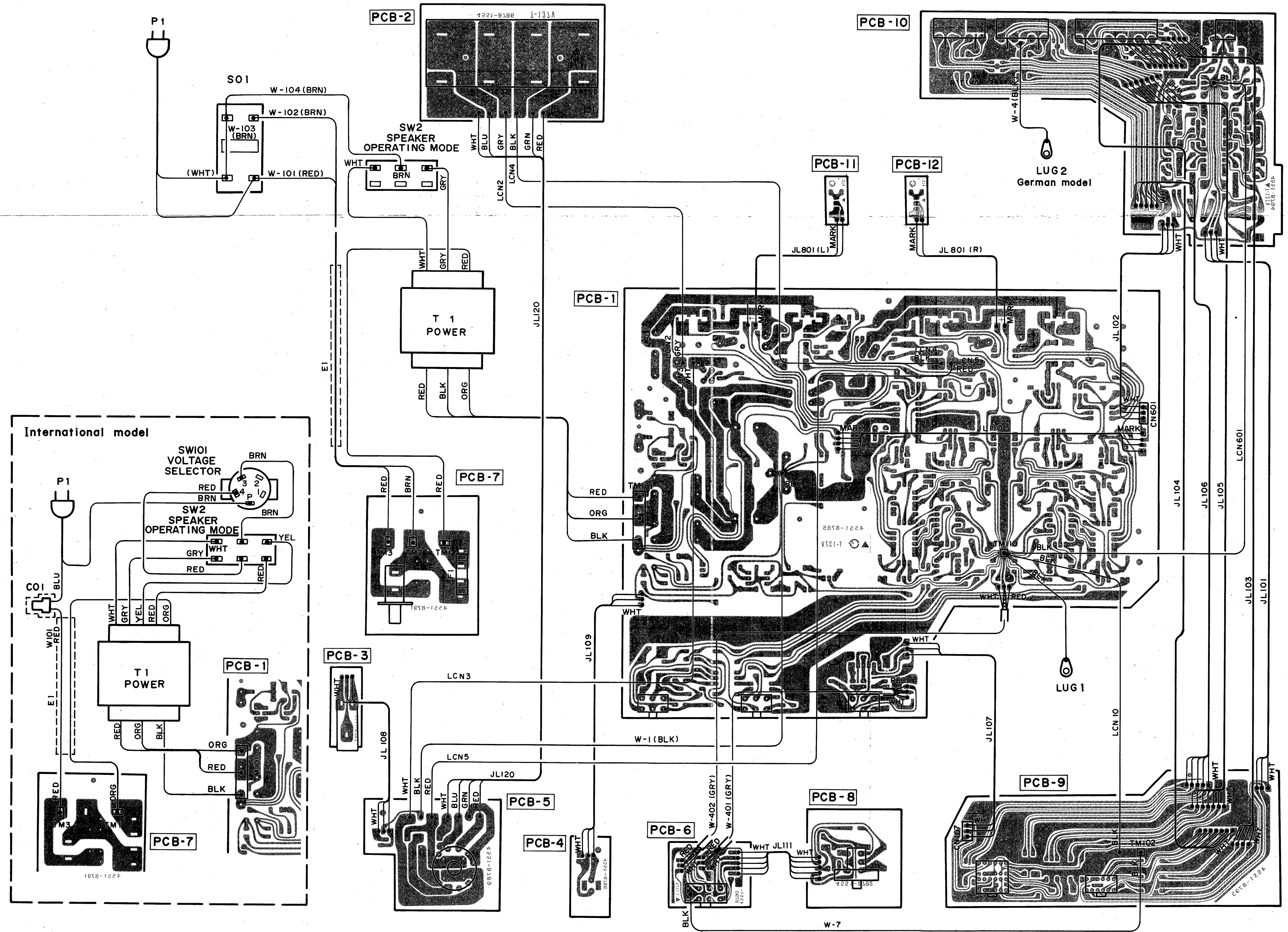


NOTE:

1. ALL RESISTANCES VALUES ARE IN Ω .
K Ω =1000 Ω , M Ω =1000K Ω .
2. THE WATTAGE OF RESISTORS IS 1/2W UNLESS OTHERWISE NOTED.
3. ALL CAPACITANCES VALUES ARE IN μ F UNLESS OTHERWISE NOTED. P= μ F.
4. ...V:DC VOLTAGE AT NO SIGNAL UNLESS OTHERWISE NOTED.
5. SAFETY REQUIREMENTS COMPONENTS IN ACCORDANCE WITH PRESENT SAFETY REGULATIONS. THESE COMPONENTS MUST ONLY BE REPLACED BY ORIGINAL PARTS.



WIRING DIAGRAM



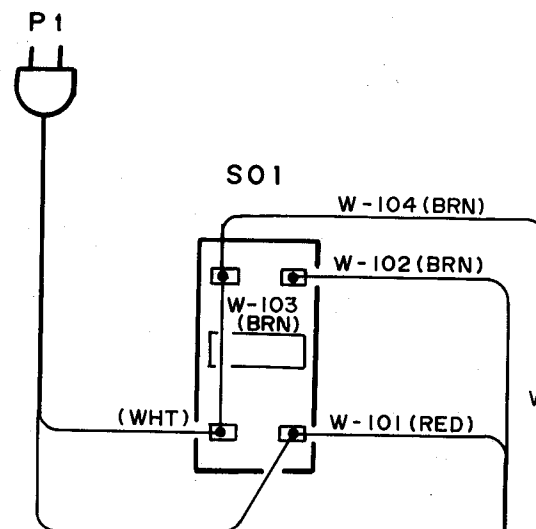
WIRE COLOR ABBREVIATIONS

RED	: Red	YEL	: Yellow
ORG	: Orange	PUR	: Purple
BLU	: Blue	PK	: Pink
WHT	: White	GRY	: Gray
GRN	: Green	BRN	: Brown
BLK	: Black		

WIRING DIAGRAM

1
2
3
4
5
6
7

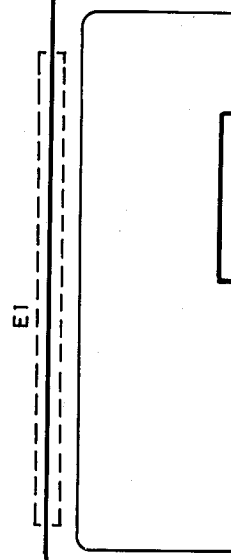
A B C D E



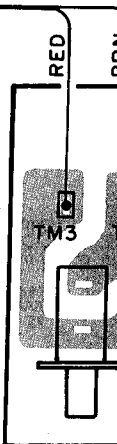
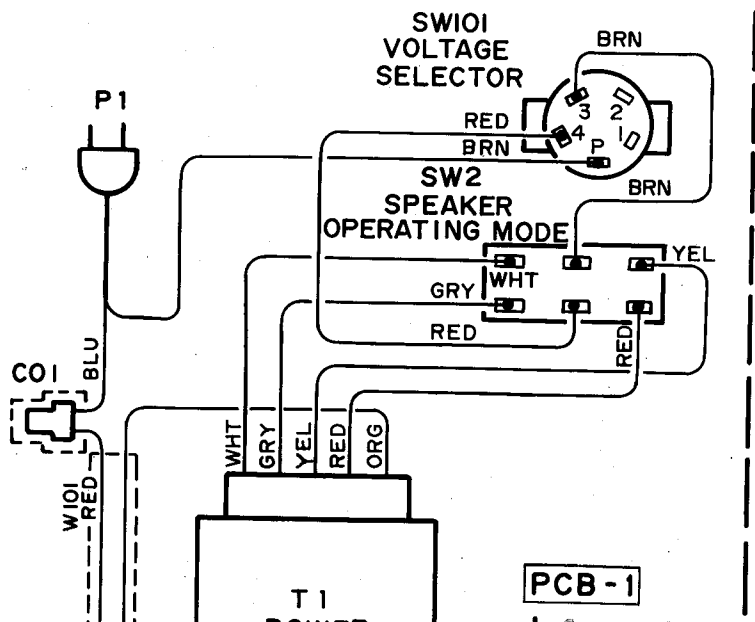
PCB-

S
SPE
OPERAT

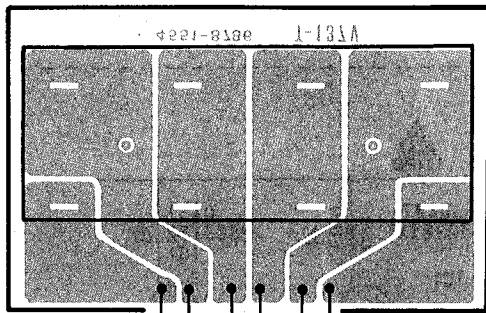
WHT
BRN



International model

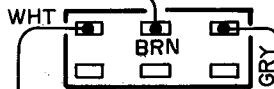


PCB-2



SW2
SPEAKER
OPERATING MODE

WHT
BLU
GRY
BLK
GRN
RED



LCN2
LCN4

PCB-11



JL801 (L)

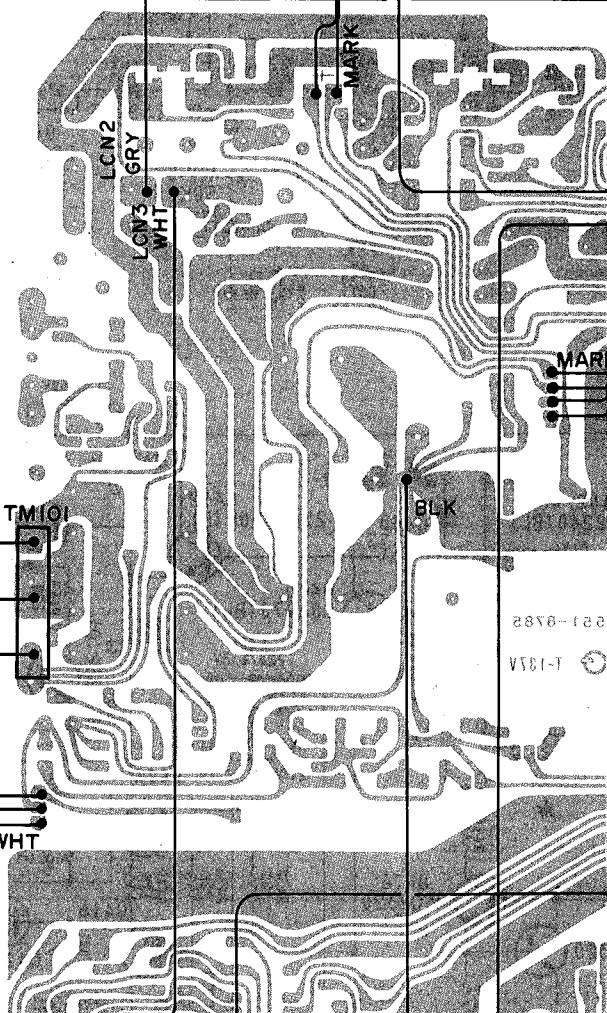
T 1
POWER

WHT
GRY
RED

RED
BLK
ORG

JL120

PCB-1



LCN2
GRY
WHT

MARK

MARK

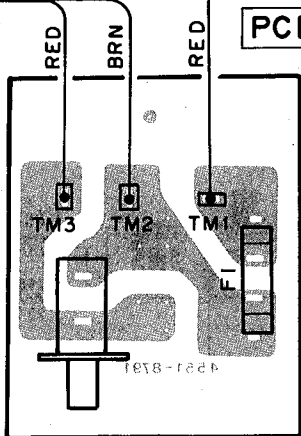
RED
ORG
BLK

TM101

BLK

WHT

JL109



PCB-7

RED
BRN
RED

TM3
TM2
TM1

FI

PCB-3

LCN3

V-104 (BRN)

V-102 (BRN)

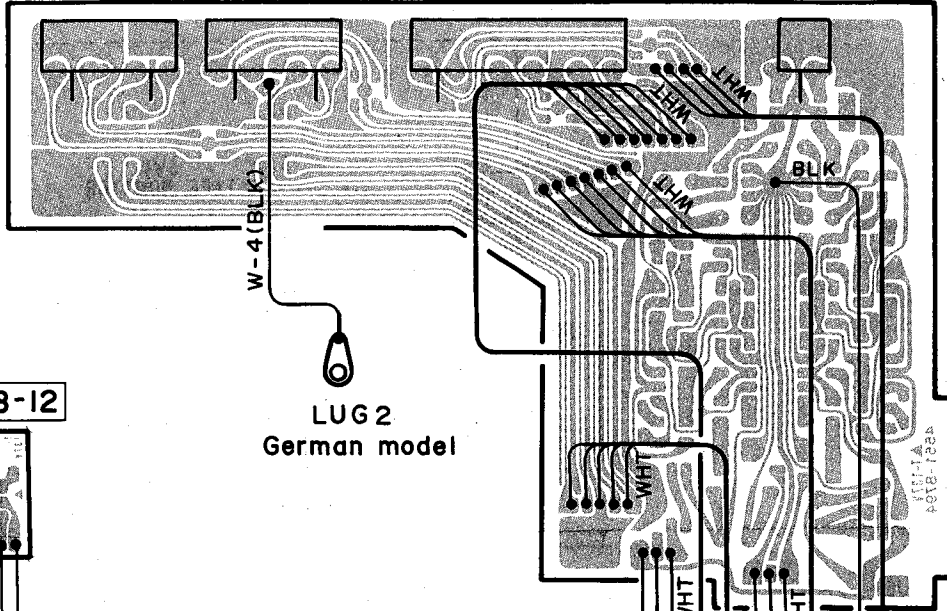
V-101 (RED)

E1

N

TYEL

PCB-10



PCB-11



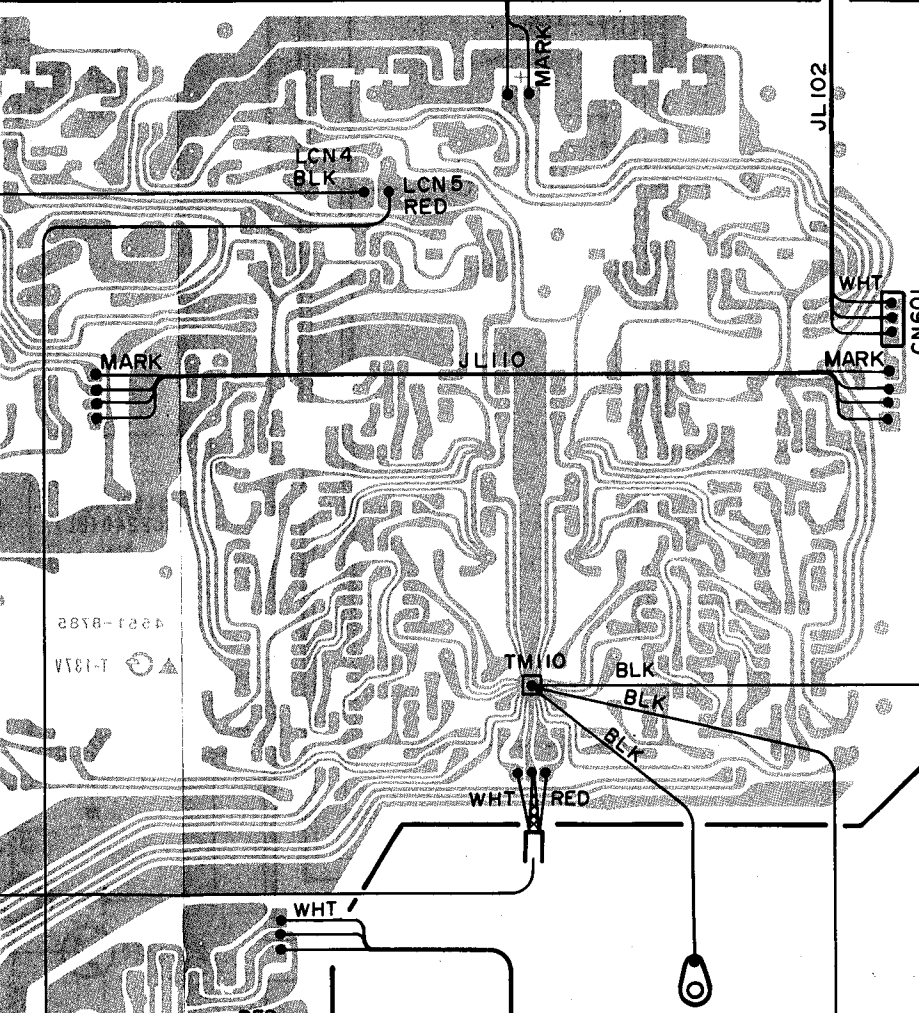
PCB-12



LUG 2
German model

801 (L) MARK

JL 801 (R)



JL102

WHT

MARK

CN601

JL104

JL106

JL105

LCN601

JL103

JL101

2878-1228
487B-1023

TM110

BLK

BLK

BLK

WHT

RED

WHT

RED

4

5

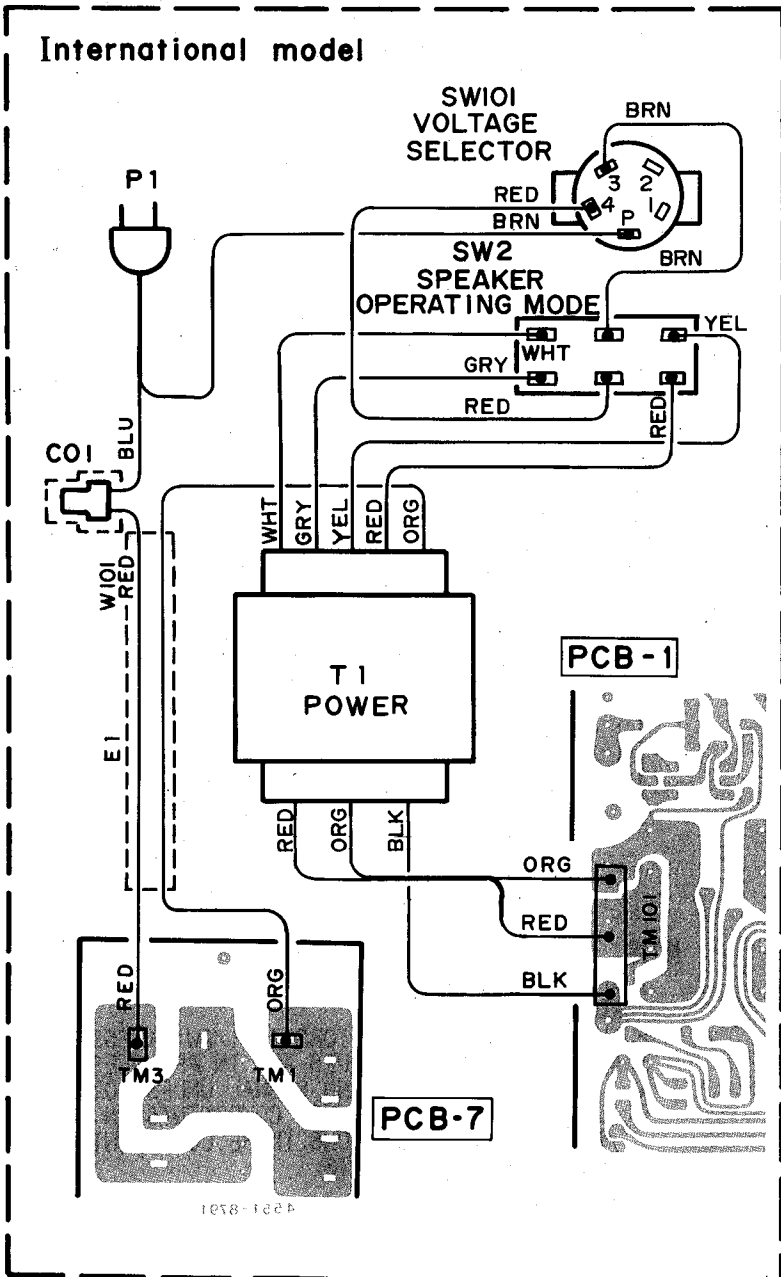
6

7

8

9

10



WIRE COLOR ABBREVIATIONS

- | | | | |
|-----|----------|-----|----------|
| RED | : Red | YEL | : Yellow |
| ORG | : Orange | PUR | : Purple |
| BLU | : Blue | PIK | : Pink |
| WHT | : White | GRY | : Gray |
| GRN | : Green | BRN | : Brown |
| BLK | : Black | | |

